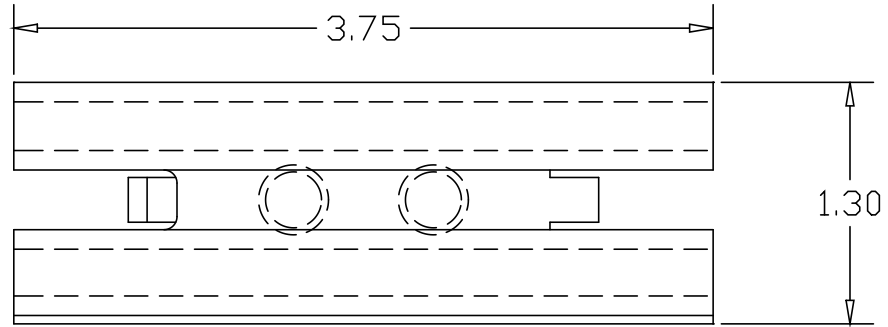
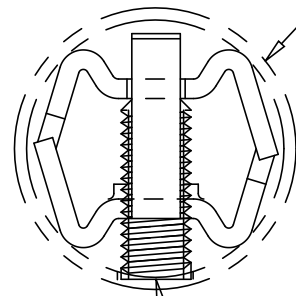


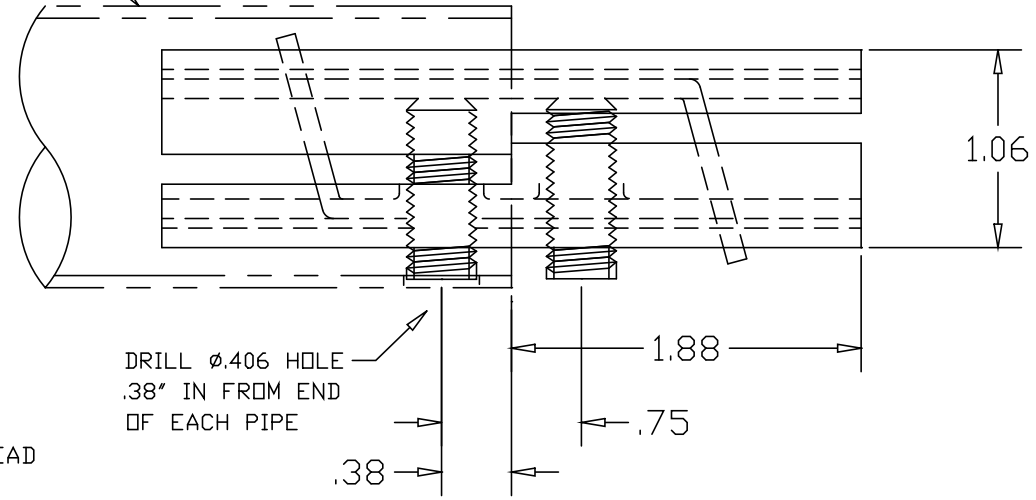
REVISIONS			
REV	DESCRIPTION	DATE	APPROVED



1-1/2"Ø X .065W ALUMINUM TUBING




3/8-16 SOCKET HEAD SET-SCREW (2) PLACES



DRILL Ø.406 HOLE .38" IN FROM END OF EACH PIPE

.38

PART NAME			
MATERIAL		DOUBLE-LOCK SPLICE-LOCK	
.10 ALUMINUM			
DATE	5/25/93	 R & B WAGNER, INC.	
DRAWN BY	RJF		
FINISH	MILL	SIZE	WEIGHT
		A	.16 LBS
		PART NUMBER	REV
		3367	