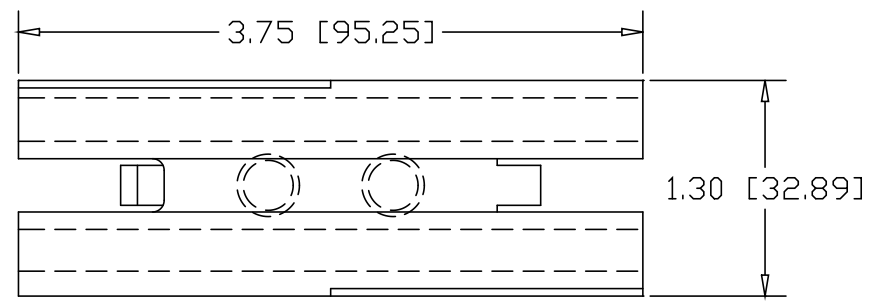
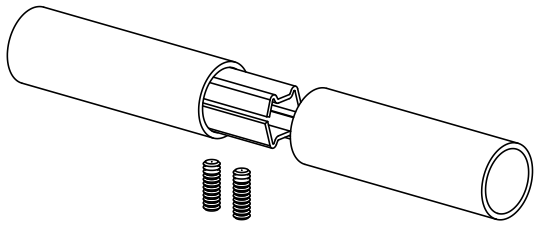
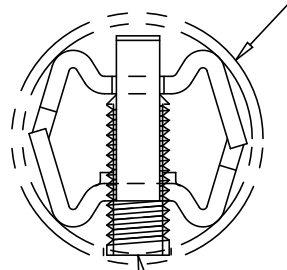


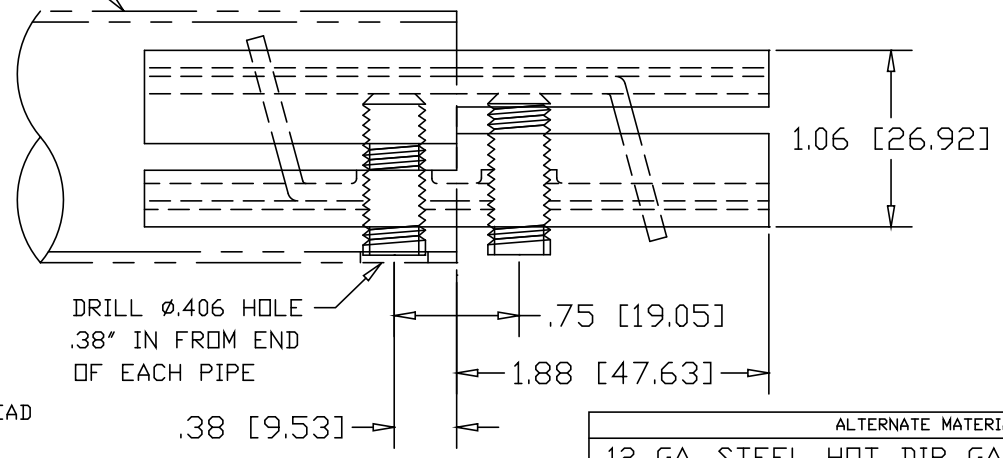
REVISIONS			
REV	DESCRIPTION	DATE	APPROVED



1.50" O.D. X .065W TUBING




3/8-16 SOCKET HEAD SET-SCREW X 1" (2) PLACES



DRILL ϕ .406 HOLE .38" IN FROM END OF EACH PIPE

ALTERNATE MATERIAL	PART NO.
12 GA. STEEL HOT DIP GALVANIZED	G3366
12 GA. STEEL ZINC PLATED	PL3366
.090 (3003) ALUMINUM ASTM B209	3367
.090 (304) STAINLESS STEEL ASTM A240	3369

PART NAME		1.50" O.D. X .065W TUBE DOUBLE-LOCK SPLICE-LOCK					
MATERIAL		12 GA. HRP&O STEEL ASTM A569					
DATE	5/25/93	 R & B WAGNER, INC.					
DRAWN BY	RJF						
FINISH	MILL						
SIZE	A	WEIGHT	.38 LBS	PART NUMBER	3366	REV	