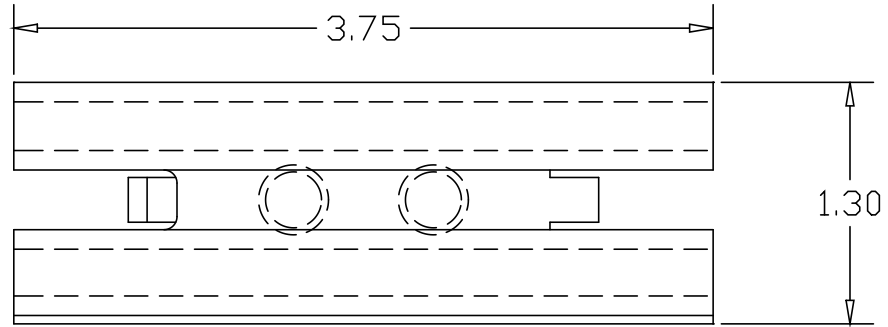
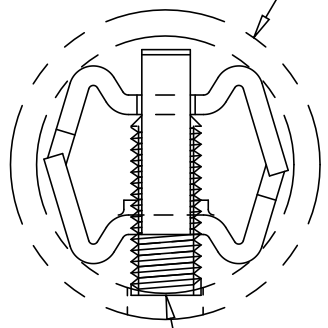


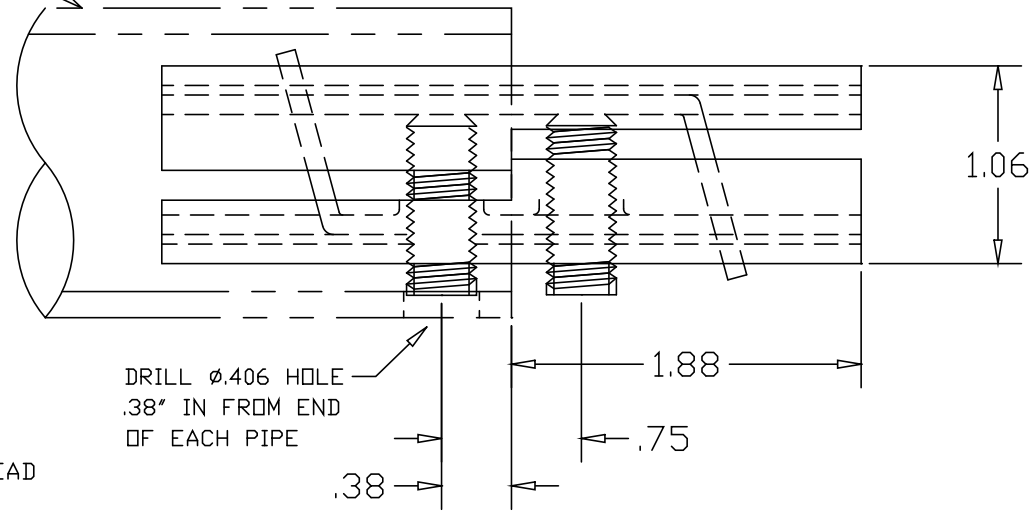
REVISIONS			
REV	DESCRIPTION	DATE	APPROVED




1-1/4" SCHEDULE 40 PIPE



3/8-16 SOCKET HEAD SET-SCREW (2) PLACES



DRILL ϕ .406 HOLE
.38" IN FROM END
OF EACH PIPE

PART NAME			
MATERIAL 1/8" (3003) ALUMINUM ASTM B-209		DOUBLE-LOCK SPLICE-LOCK	
DATE	12/9/93	 R & B WAGNER, INC.	
DRAWN BY	RJF		
FINISH	MILL	SIZE	WEIGHT
		A	.15 LBS
		PART NUMBER	REV
		3355	