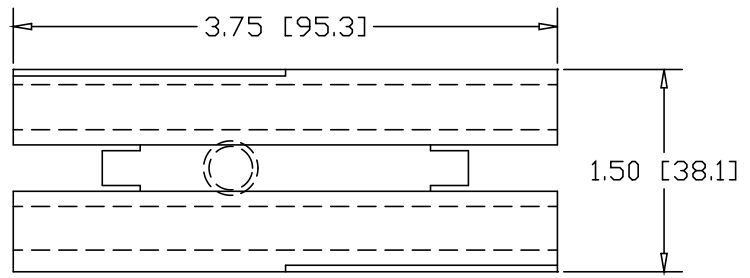
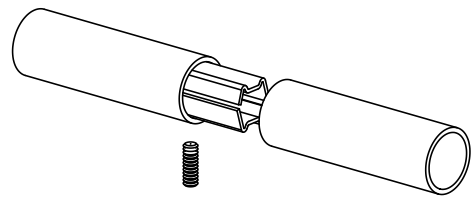
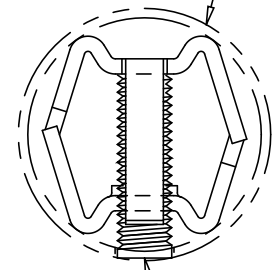


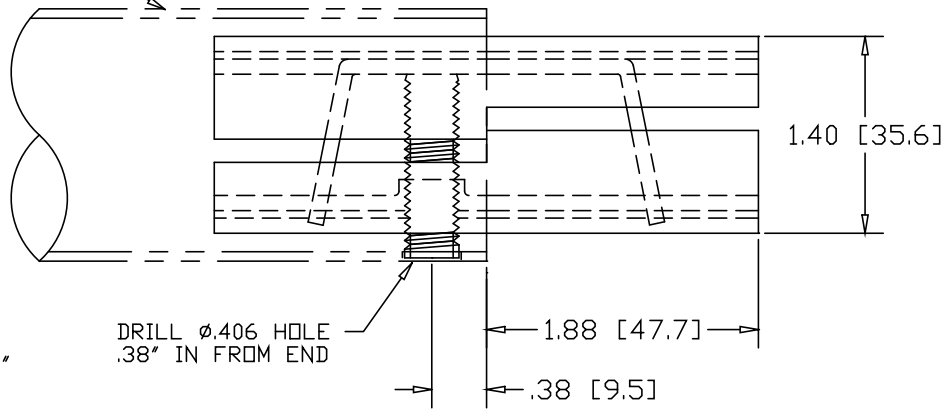
REVISIONS			
REV	DESCRIPTION	DATE	APPROVED



2.00" O.D. X .065W TUBE




3/8-16 X 1-3/8" SOCKET HEAD SET-SCREW



DRILL ϕ .406 HOLE .38" IN FROM END

INCHES [MILLIMETERS]

ALTERNATE MATERIAL	PART NO.
12 GA. STEEL HOT DIP GALVANIZED	G3338
12 GA. STEEL ZINC PLATED	PL3338
.090 (3003) ALUMINUM ASTM B209	3328
.090 (304) STAINLESS STEEL ASTM A240	3335

PART NAME		2.00" O.D. X .065W TUBE SINGLE-LOCK SPLICE-LOCK					
MATERIAL		12 GA. HRP&D STEEL ASTM A569					
DATE	3/22/93	 R & B WAGNER, INC.					
DRAWN BY	RJF						
FINISH	MILL						
SIZE	A	WEIGHT	.53 LBS	PART NUMBER	3338	REV	