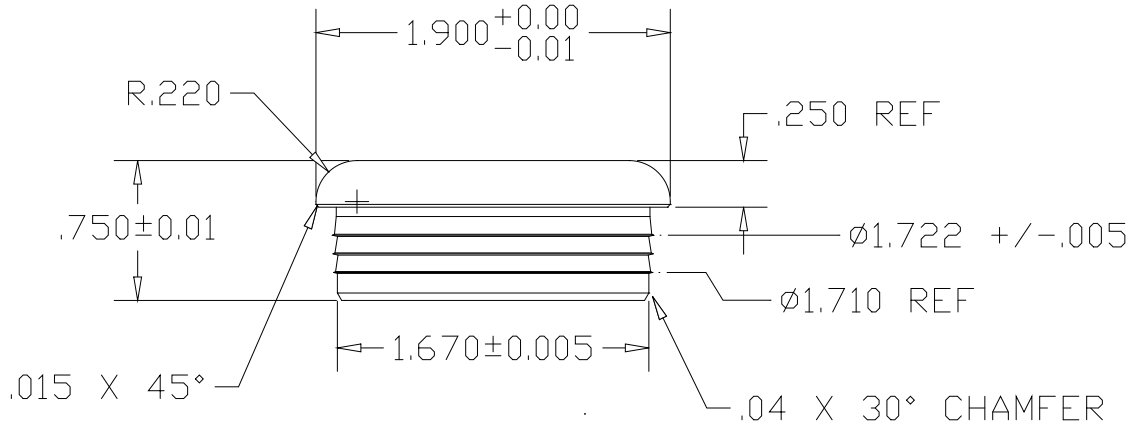



REV 1  
SH  
3298-SS-10  
DWG NO

REVISIONS			
REV	DESCRIPTION	DATE	APPROVED
1	RELEASED (WAS 3298.10)	03/19/10	PWH



PART NAME 1.90 SS SC10 TYPE-G MACHINED DRIVE-ON CAP			
MATERIAL 316 STAINLESS STEEL			
DATE 02/14/10		<b>THE WAGNER COMPANIES</b> R & B WAGNER, INC. AND J. G. BRAUN CO.	
DRAWN BY PWH			
FINISH AS TURNED	SIZE A	WEIGHT	PART NUMBER 3298-SS-10
			REV 1