

REV

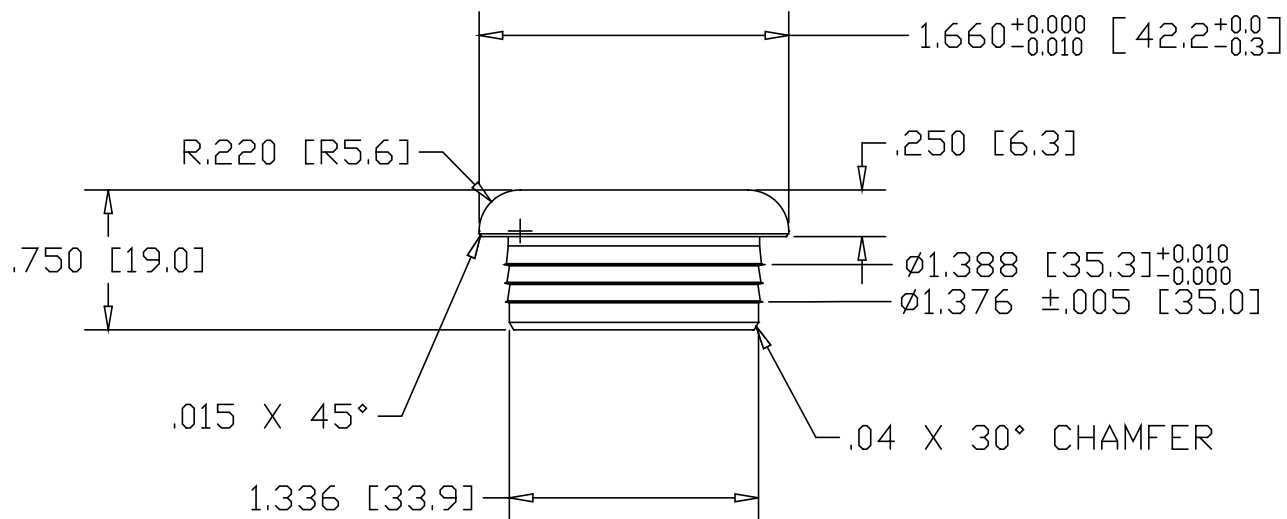
SH

3297

DWG NO

REVISIONS

REV	DESCRIPTION	DATE	APPROVED
-----	-------------	------	----------



INCHES [MILLIMETERS]

PART NAME 1-1/4" SCH40 PIPE SIZE TYPE-G MACHINED DRIVE-ON CAP			
MATERIAL 6063-T52 ALUMINUM			
DATE 04/20/05		THE WAGNER COMPANIES R & B WAGNER, INC. AND J. G. BRAUN CO.	
DRAWN BY RJF			
FINISH MILL	SIZE A	WEIGHT .13 LBS	PART NUMBER 3297
			REV