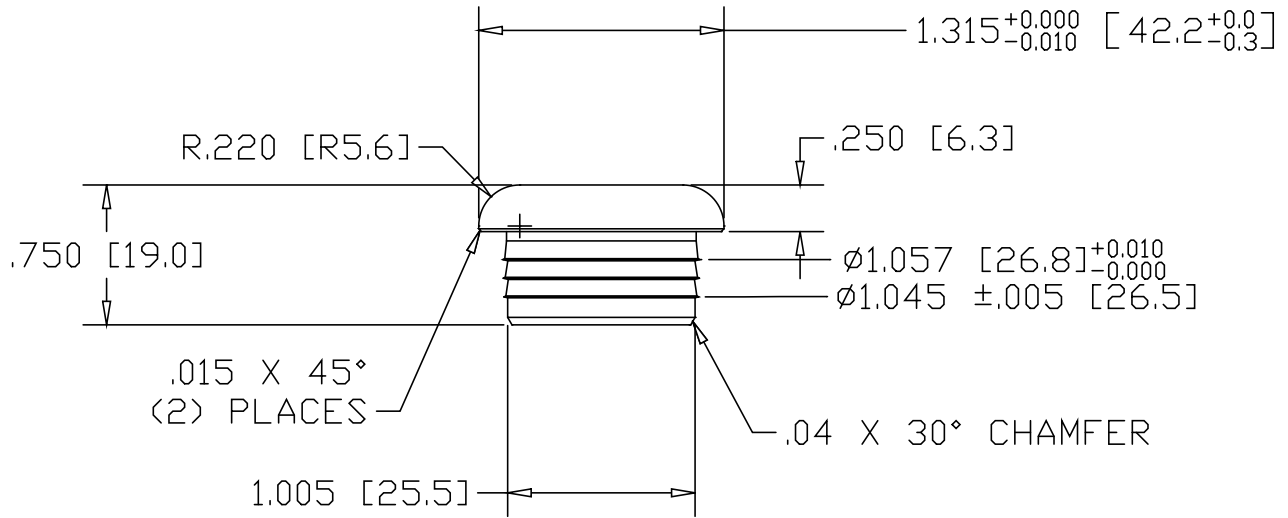



REV  
SH  
3296  
DWG NO

REVISIONS			
REV	DESCRIPTION	DATE	APPROVED



INCHES [MILLIMETERS]

PART NAME 1" PIPE SIZE TYPE-G MACHINED DRIVE-ON CAP			
MATERIAL 6063-T52 ALUMINUM			
DATE 04/20/05		<b>THE WAGNER COMPANIES</b> R & B WAGNER, INC. AND J. G. BRAUN CO.	
DRAWN BY RJF			
FINISH MILL	SIZE A	WEIGHT .13 LBS	PART NUMBER 3296
			REV