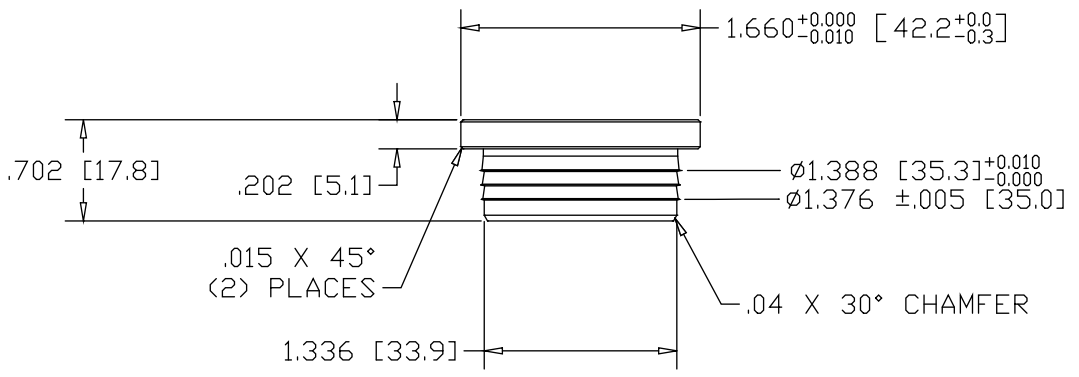



REV	REVISIONS		
	REV	DESCRIPTION	DATE
SH			
DWG NO	3291M		



INCHES [MILLIMETERS]

PART NAME 1-1/4" PIPE SIZE TYPE-E MACHINED DRIVE-ON CAP			
MATERIAL 6063-T52 ALUMINUM			
DATE 04/20/05	 <b>THE WAGNER COMPANIES</b> R & B WAGNER, INC. AND J. G. BRAUN CO.		
DRAWN BY RJF			
FINISH MILL	SIZE A	WEIGHT .13 LBS	PART NUMBER 3291M
			REV