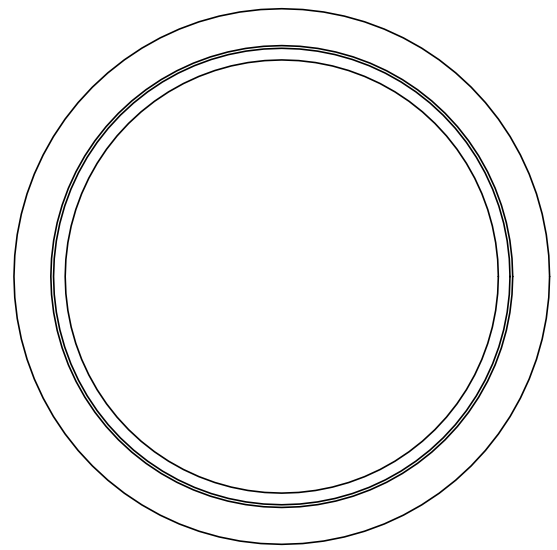
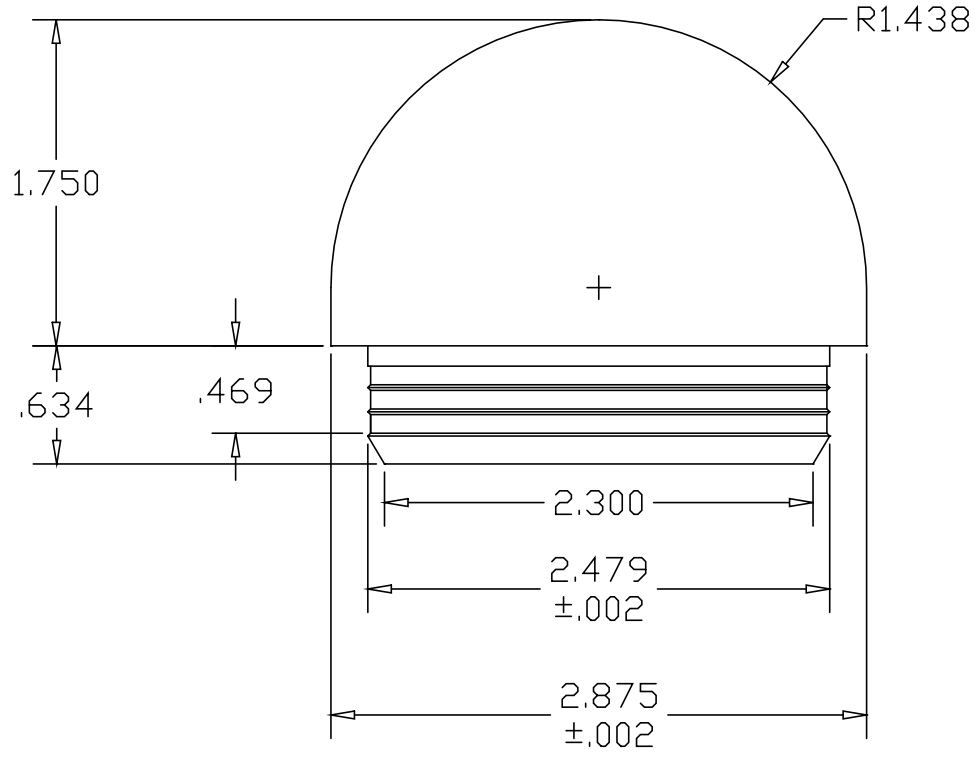



REV  
SH  
DWG NO 3290AM

REVISIONS			
REV	DESCRIPTION	DATE	APPROVED



PART NAME		2-1/2" SCH 40 PIPE SIZE DRIVE ON END CAP					
MATERIAL		6063 ALUMINUM BAR					
DATE	5/02/04	 <b>THE WAGNER COMPANIES</b> R & B WAGNER, INC. AND J. G. BRAUN CO.					
DRAWN BY	RJF						
FINISH	MILL						
SIZE	A	WEIGHT	1.10 LBS	PART NUMBER	3290AM	REV	