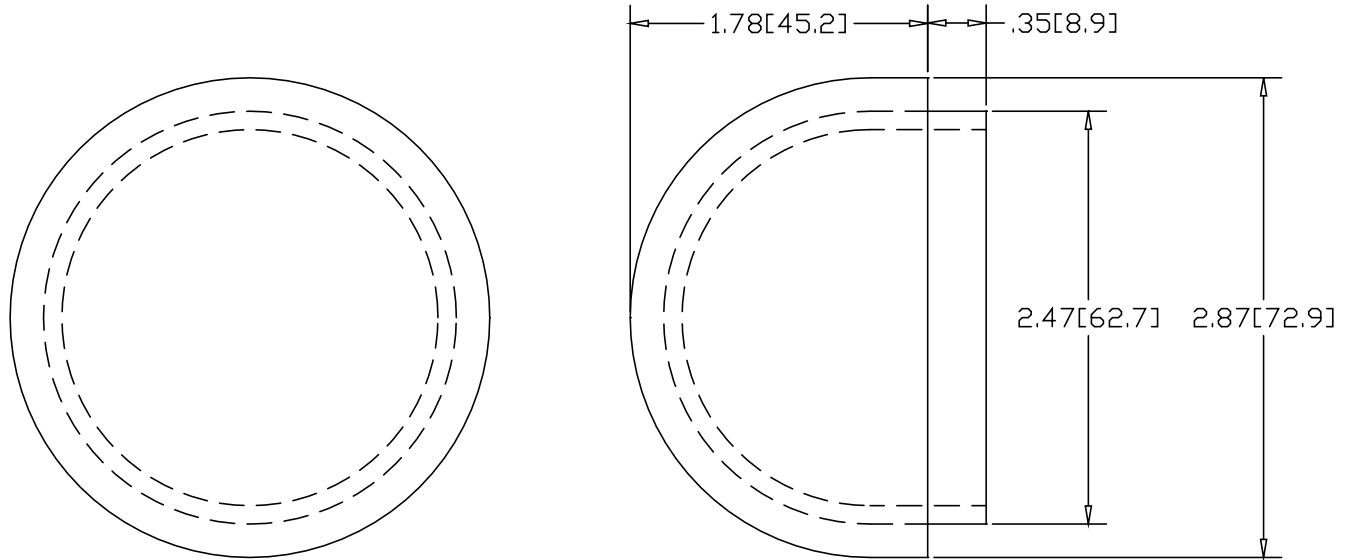



REV
SH
DWG NO 3290

REVISIONS			
REV	DESCRIPTION	DATE	APPROVED



INCHES [MILLIMETERS]

ALTERNATE MATERIAL	PART NUMBER
.190 (3003) ALUMINUM ASTM B209	3290-A

PART NAME 2-1/2" PIPE SIZE TYPE-A FLUSH DRIVE-ON CAP				
MATERIAL 7 GA. HRP&D STEEL ASTM A569				
DATE 10/8/96		THE WAGNER COMPANIES R & B WAGNER, INC. AND J. G. BRAUN CO.		
DRAWN BY RJF				
FINISH MILL	SIZE A	WEIGHT 1.03 lbs	PART NUMBER 3290	REV