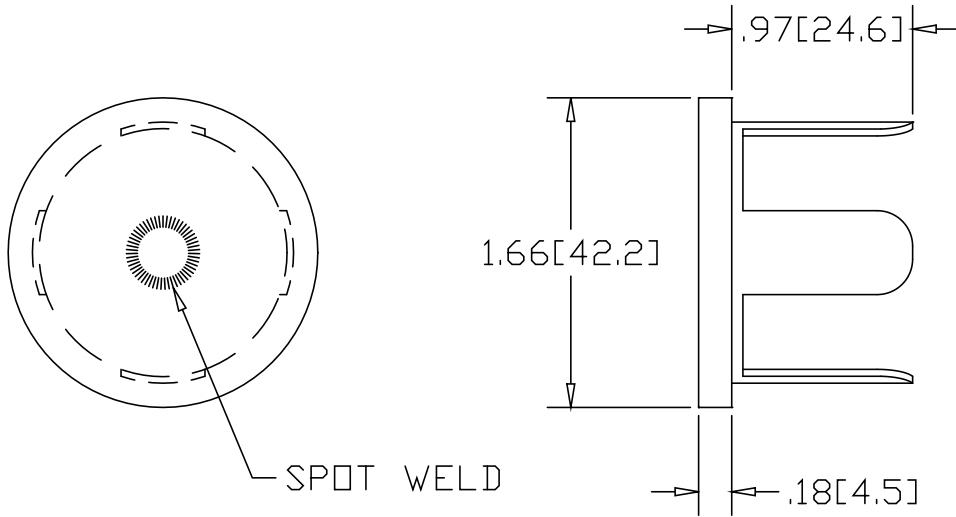
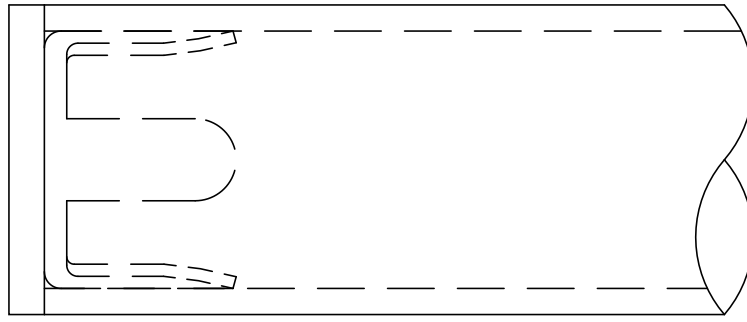
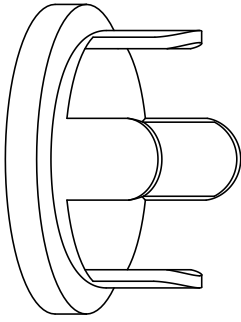



REV  
SH  
3286  
DWG NO

REVISIONS			
REV	DESCRIPTION	DATE	APPROVED



INCHES [MILLIMETERS]

ALTERNATE MATERIAL	PART NUMBER
.190 (3003) ALUMINUM ASTM B209	3291
7 GA. (304) STAINLESS STEEL ASTM A240	3286-SS

PART NAME				1-1/4" PIPE SIZE TYPE "E" DRIVE-ON DISK	
MATERIAL				7 GA. HRP&D STEEL ASTM A569	
DATE	3/28/95	 <b>THE WAGNER COMPANIES</b> R & B WAGNER, INC. AND J. G. BRAUN CO.			
DRAWN BY	RJF				
FINISH	MILL				
SIZE	A	WEIGHT	.16 LBS	PART NUMBER	3286
				REV	