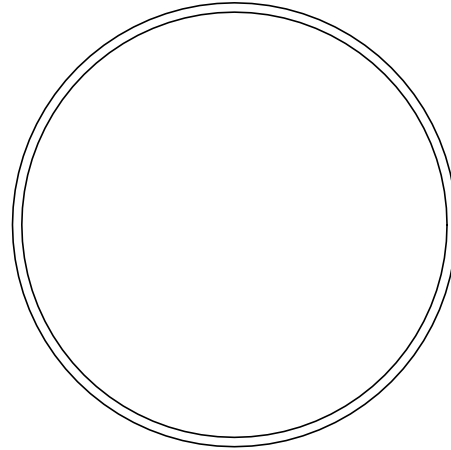
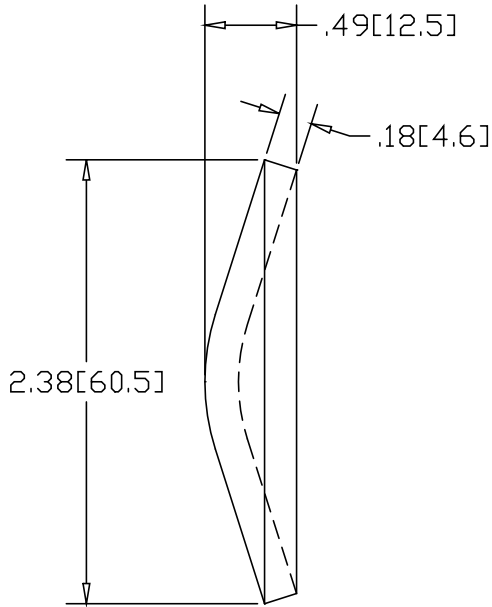



REV
SH
3230-F
DWG NO

REVISIONS			
REV	DESCRIPTION	DATE	APPROVED



INCHES [MILLIMETERS]

ALTERNATE MATERIAL	PART NUMBER
.190 (3003) ALUMINUM ASTM B209	3250-F
7 GA 304 STAINLESS STEEL ASTM A240	3270-F

PART NAME				2" PIPE SIZE TYPE-F DISHED WELD-ON DISK			
MATERIAL				7 GA. HRP&O STEEL ASTM A569			
DATE		10/11/96		 THE WAGNER COMPANIES R & B WAGNER, INC. AND J. G. BRAUN CO.			
DRAWN BY		RJF					
FINISH		MILL					
SIZE	WEIGHT	PART NUMBER	REV				
A	.22 LBS	3230-F					