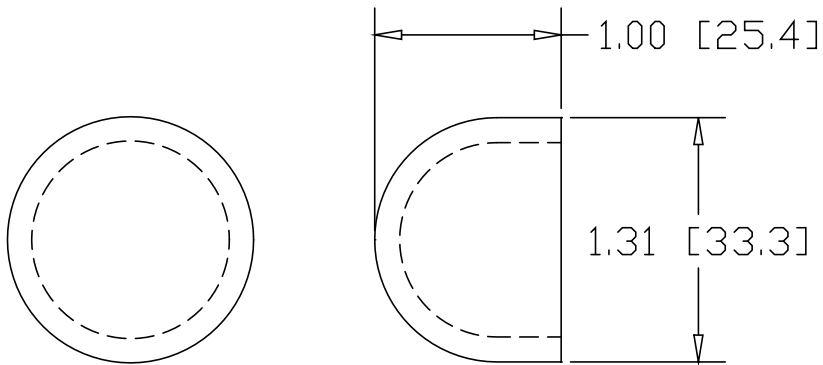
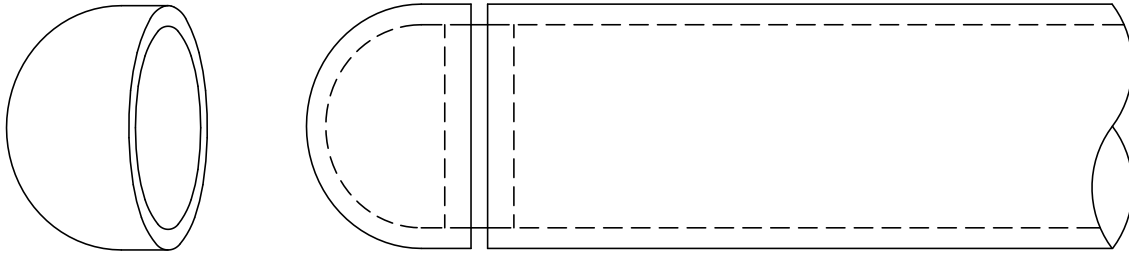



REV
SH
DWG NO 3218

REVISIONS			
REV	DESCRIPTION	DATE	APPROVED



INCHES [MILLIMETERS]

ALTERNATE MATERIAL	PART NUMBER
.125 (3003) ALUMINUM ASTM B209	3238
11 GA (304) STAINLESS STEEL ASTM A240	3258
.125 (280) MUNTZ	BZ3218

PART NAME		1" PIPE SIZE TYPE-C FLUSH WELD-ON END CAP	
MATERIAL		10 GA. HRP&D STEEL ASTM A569	
DATE	10/11/96	 THE WAGNER COMPANIES R & B WAGNER, INC. AND J. G. BRAUN CO.	
DRAWN BY	RJF		
FINISH	MILL		
SIZE	WEIGHT	PART NUMBER	REV
A	.12 LBS	3218	