

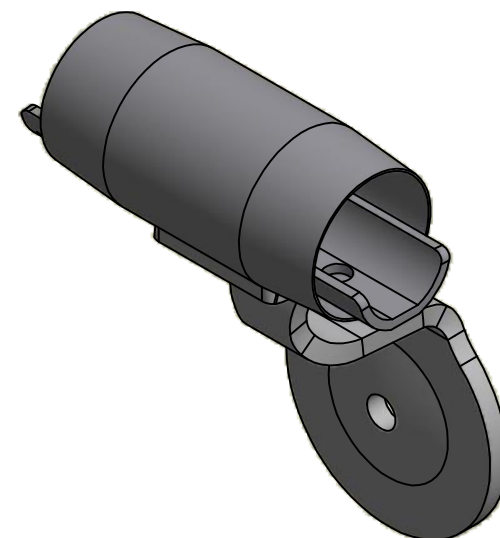
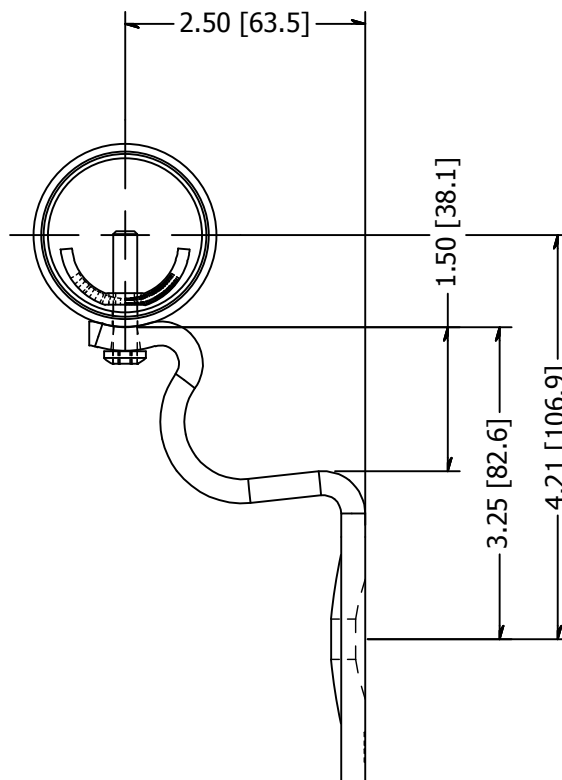
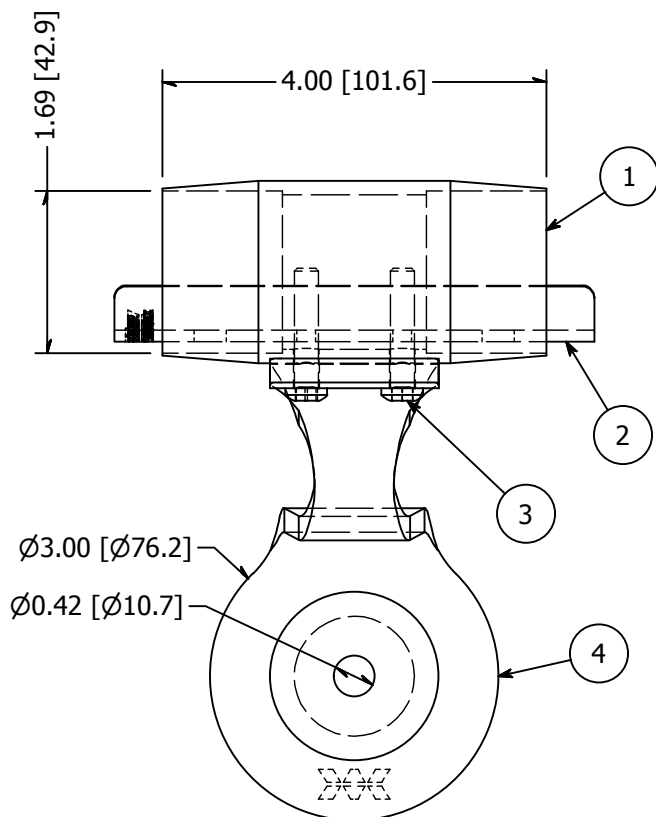
2




1

## PARTS LIST

ITEM	QTY	PART NUMBER	DESCRIPTION
1	1	WR3166SFBS	SS SLIP FIT BARREL FOR 1/4 FORMED BRACKETS
2	1	WR3166SFCS	SS SLIP FIT CLAMP FOR 1/4 FORMED BRACKETS
3	2	BAH3N2520-0125	SCREW SS 1/4-20 X 1.25 BUTTON ALLEN HEAD
4	1	3251R	1/4 Bracket, 2-1/2 Inch From Wall To Center of Handrail, 1 Mounting Hole



<b>TOLERANCE</b>  UNLESS OTHERWISE NOTED, TOLERANCES TO CONFORM TO ES.03.011	MATERIAL:	Stainless Steel			DESCRIPTION:	3251R SLIPFIT ASSEMBLY	
	FINISH:	#4	DATE:	10/4/2017	REV:	-	 10600 W Brown Deer Rd Milwaukee, WI 53224 COLLABORATIVE METALWORKS <a href="http://www.wagnercompanies.com/">http://www.wagnercompanies.com/</a>
	WEIGHT:	1.91 lbmass	DRAWN BY:	T. Kolbach	ITEM NUMBER:	3251RSF	

2



1