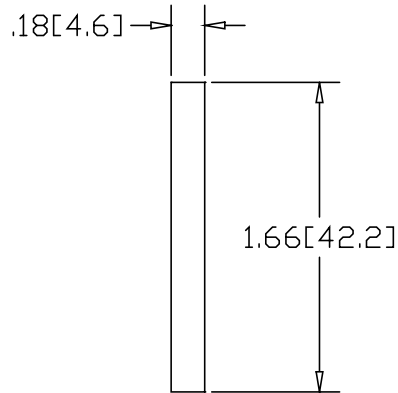
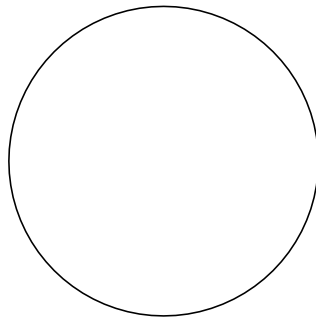
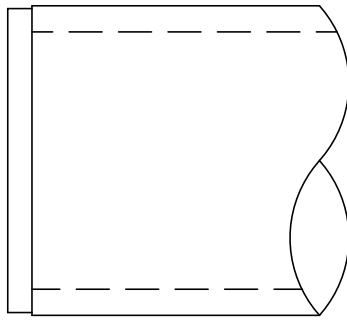
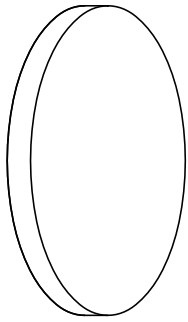



REV
SH
3228
DWG NO

REVISIONS			
REV	DESCRIPTION	DATE	APPROVED



INCHES [MILLIMETERS]

ALTERNATE MATERIAL	PART NUMBER
.190 (3003) ALUMINUM ASTM B209	3248
7 GA 304 STAINLESS STEEL ASTM A240	3268
.188 (260) BRASS ASTM B19,B36	D064

PART NAME				1-1/4" PIPE SIZE TYPE-D WELD-ON DISK	
MATERIAL				7 GA. HRP&D STEEL ASTM A569	
DATE	10/11/96	 THE WAGNER COMPANIES R & B WAGNER, INC. AND J. G. BRAUN CO.			
DRAWN BY	RJF				
FINISH	MILL				
SIZE	A	WEIGHT	.12 LBS	PART NUMBER	3228
				REV	