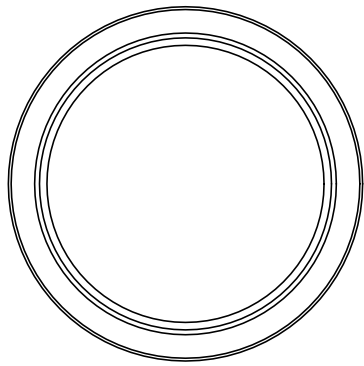
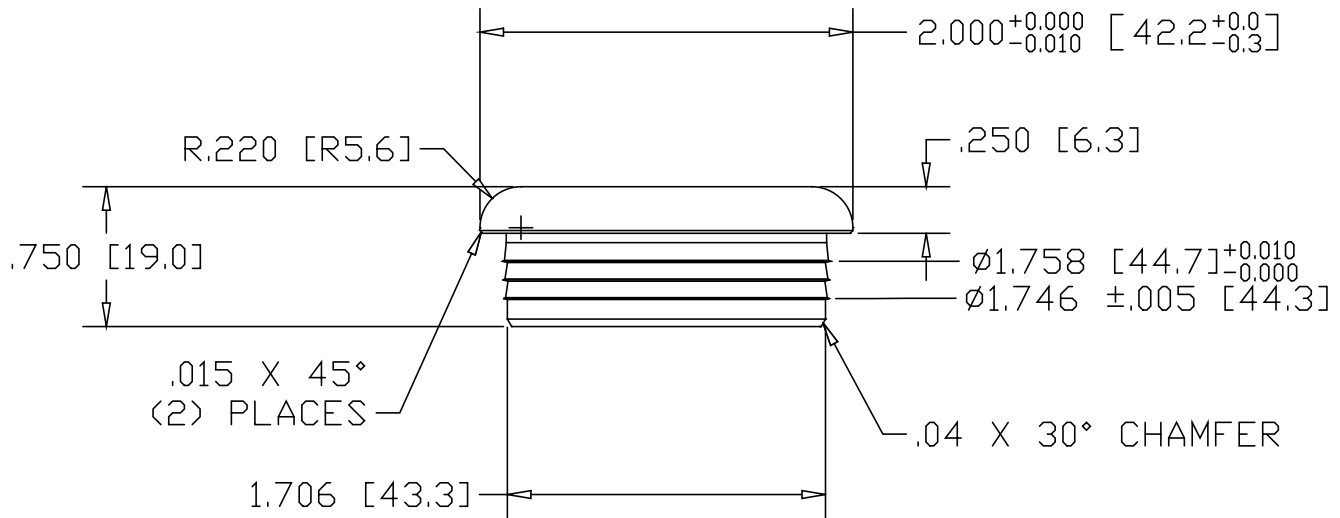



REV
SH
DWG NO 3246DM

REVISIONS			
REV	DESCRIPTION	DATE	APPROVED



INCHES [MILLIMETERS]

PART NAME 2" OD TUBE SIZE TYPE-G MACHINED DRIVE-ON CAP			
MATERIAL 6063-T52 ALUMINUM			
DATE 04/20/05		THE WAGNER COMPANIES	
DRAWN BY RJF		R & B WAGNER, INC. AND J. G. BRAUN CO.	
FINISH MILL		SIZE A	WEIGHT .20 LBS
			REV