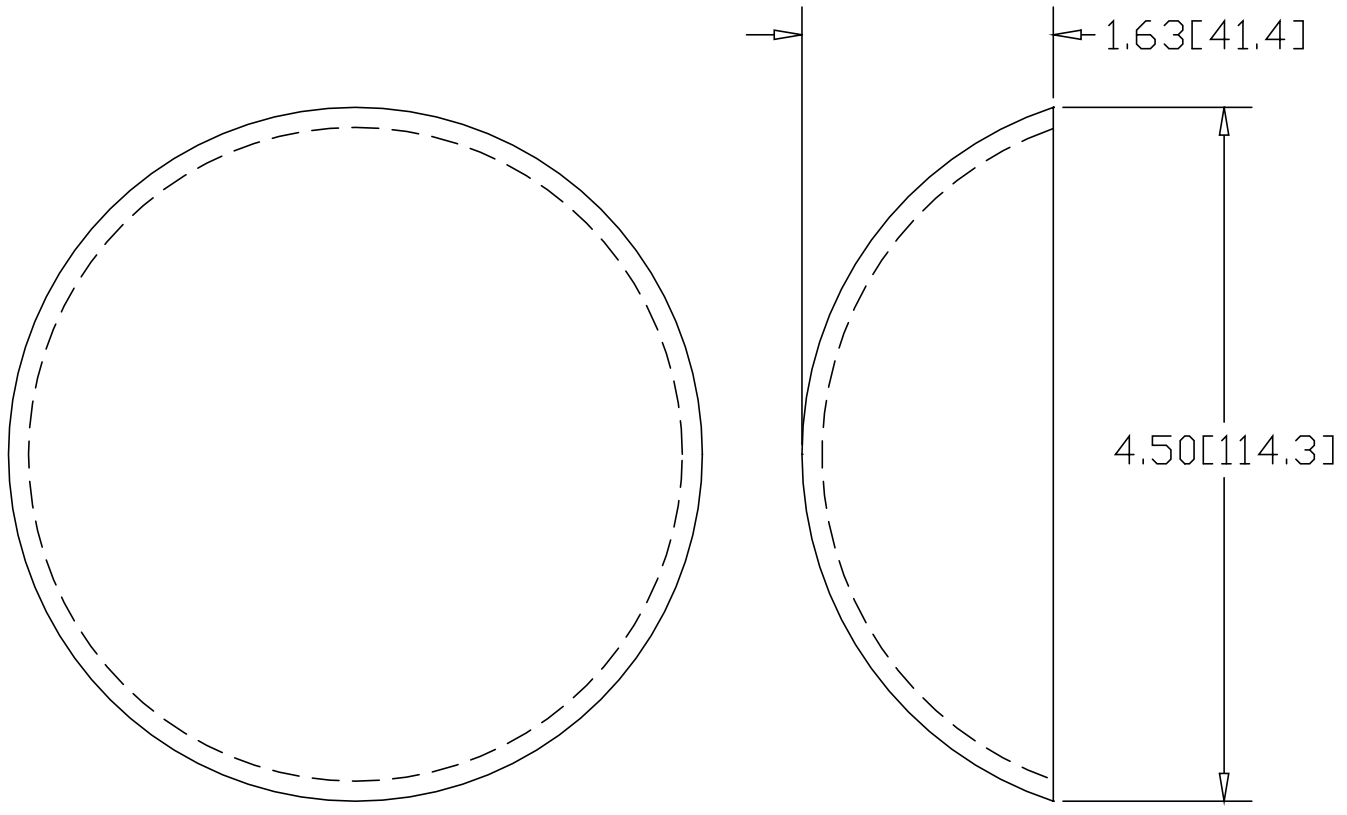



REV  
SH  
3225-4  
DWG NO

REVISIONS			
REV	DESCRIPTION	DATE	APPROVED



INCHES [MILLIMETERS]

ALTERNATE MATERIAL	PART NUMBER
.125 (3003) ALUMINUM ASTM B209	3245-4
10 GA. (304) STAINLESS STEEL ASTM A240	3265-4
.125 (260) RED BRASS ASTM B19,B36	BRS3225-4

PART NAME 4" PIPE SIZE (4.50" OD) TYPE "C" WELD-ON CAP				
MATERIAL 10 GA. HRP&D STEEL ASTM A569				
DATE 4/12/96		<b>THE WAGNER COMPANIES</b> R & B WAGNER, INC. AND J. G. BRAUN CO.		
DRAWN BY RJF				
FINISH MILL	SIZE A	WEIGHT .79 LBS	PART NUMBER 3225-4	REV