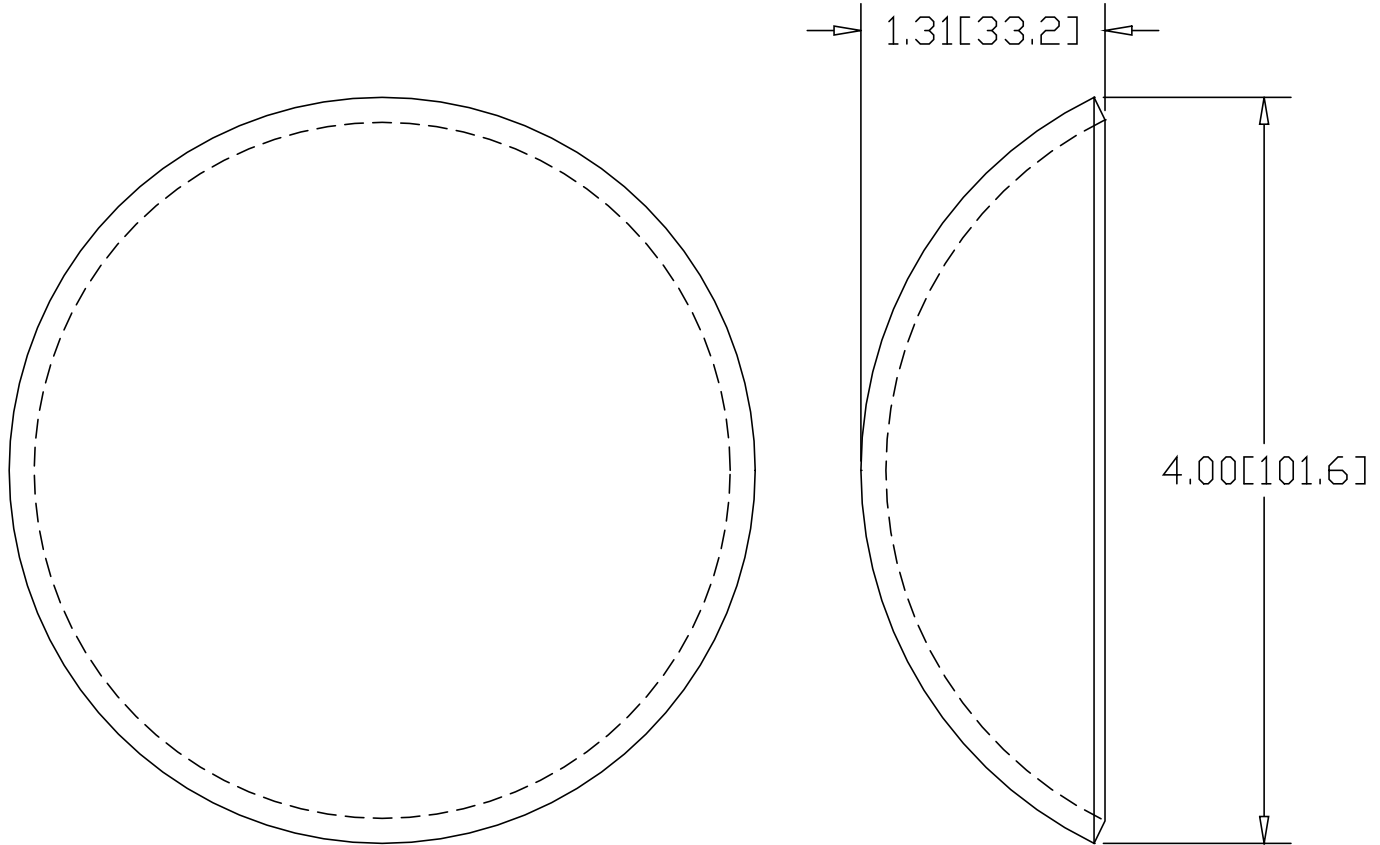



REV
SH
DWG NO 3225-2

REVISIONS			
REV	DESCRIPTION	DATE	APPROVED



INCHES [MILLIMETERS]

ALTERNATE MATERIAL	PART NUMBER
.125 (3003) ALUMINUM ASTM B209	3245-2
11 GA 304 STAINLESS STEEL ASTM A240	3265-2

PART NAME 3-1/2" PIPE SIZE (4.00" OD) TYPE-C WELD-ON END CAP				
MATERIAL 10 GA. HRP&D STEEL ASTM A569				
DATE 10/11/96	 THE WAGNER COMPANIES R & B WAGNER, INC. AND J. G. BRAUN CO.			
DRAWN BY RJF				
FINISH MILL		SIZE A	WEIGHT .64 LBS	PART NUMBER 3225-2
			REV	