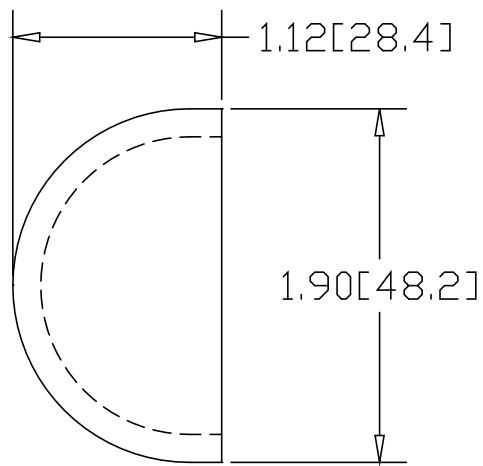
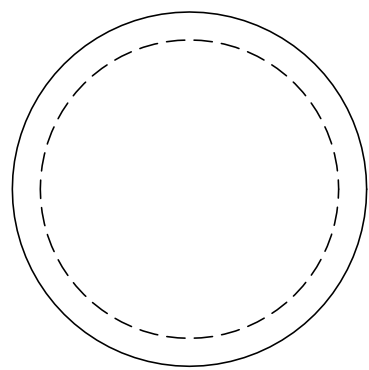
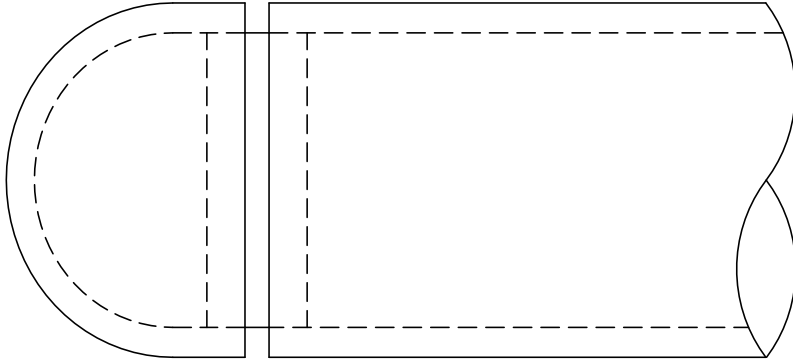
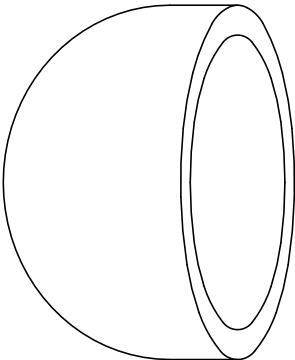



REV  
SH  
DWG NO 3220

REVISIONS			
REV	DESCRIPTION	DATE	APPROVED



INCHES [MILLIMETERS]

ALTERNATE MATERIAL	PART NUMBER
.125 (3003) ALUMINUM ASTM B209	3240
11 GA 304 STAINLESS STEEL ASTM A240	3260
.125 (280) MUNTZ	BZ3220

PART NAME 1-1/2" PIPE SIZE TYPE-C FLUSH WELD-ON END CAP							
MATERIAL 10 GA. HRP&D STEEL ASTM A569							
DATE	10/11/96	 <b>THE WAGNER COMPANIES</b> R & B WAGNER, INC. AND J. G. BRAUN CO.					
DRAWN BY	RJF						
FINISH	MILL						
SIZE	A	WEIGHT	.22 LBS	PART NUMBER	3220	REV	