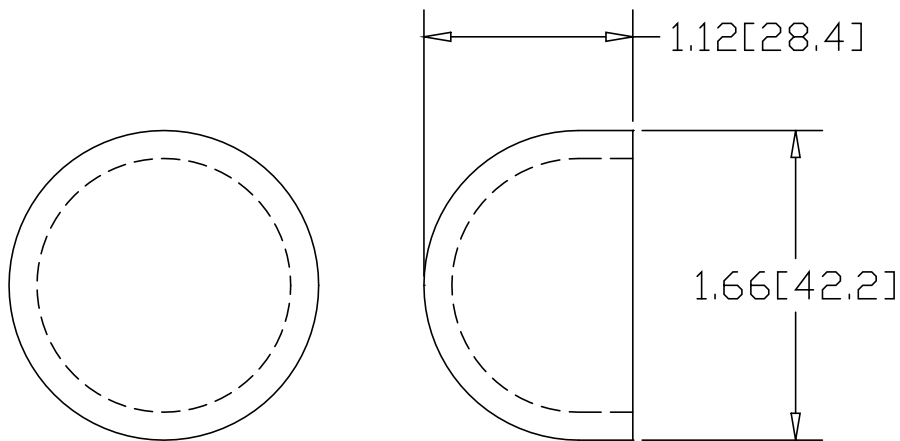
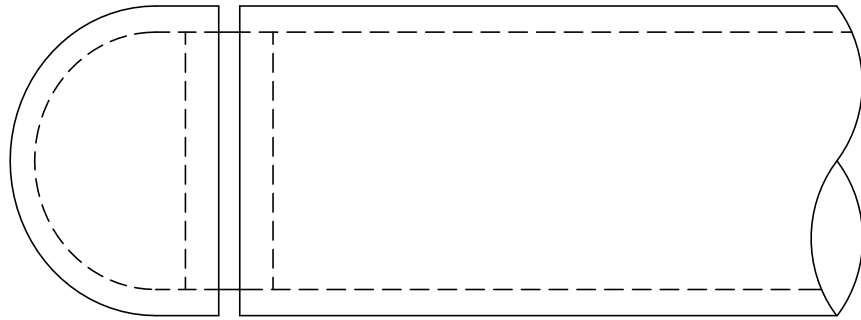
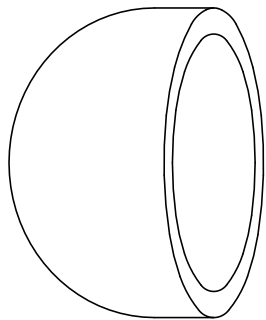


DWG NO 3219

REV


SH

REVISIONS			
REV	DESCRIPTION	DATE	APPROVED



INCHES [MILLIMETERS]

ALTERNATE MATERIAL	PART NUMBER
.125 (3003) ALUMINUM ASTM B209	3239
11 GA 304 STAINLESS STEEL ASTM A240	3259
.125 (280) MUNTZ	BZ3219

PART NAME 1-1/4" PIPE SIZE TYPE-C FLUSH WELD-ON END CAP							
MATERIAL 10 GA. HRP&D STEEL ASTM A569							
DATE	10/11/96	 <b>THE WAGNER COMPANIES</b> R & B WAGNER, INC. AND J. G. BRAUN CO.					
DRAWN BY	RJF						
FINISH	MILL						
SIZE	A	WEIGHT	.18 LBS	PART NUMBER	3219	REV	