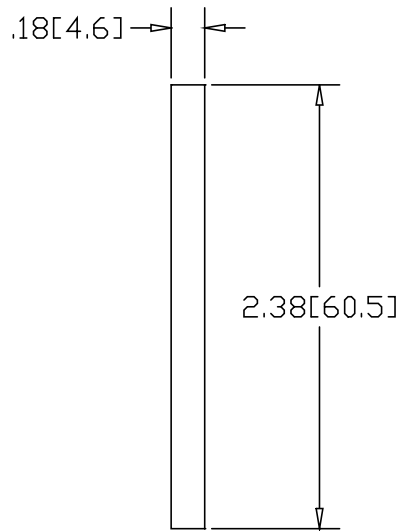
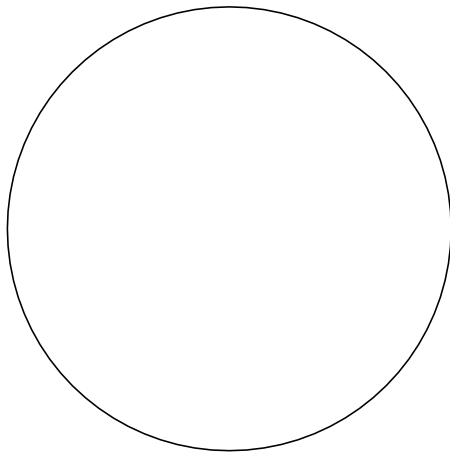
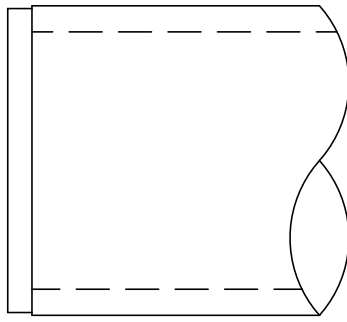
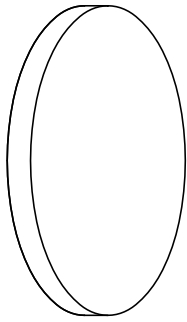



REV  
SH  
DWG NO 3230

REVISIONS			
REV	DESCRIPTION	DATE	APPROVED



INCHES [MILLIMETERS]

ALTERNATE MATERIAL	PART NUMBER
.190 (3003) ALUMINUM ASTM B209	3250
7 GA 304 STAINLESS STEEL ASTM A240	3270
.188 (260) BRASS ASTM B19,B36	D109

PART NAME 2" PIPE SIZE TYPE-D WELD-ON DISK				
MATERIAL 7 GA. HRP&D STEEL ASTM A569				
DATE 10/11/96		<b>THE WAGNER COMPANIES</b> R & B WAGNER, INC. AND J. G. BRAUN CO.		
DRAWN BY RJF				
FINISH MILL	SIZE A	WEIGHT .22 LBS	PART NUMBER 3230	REV