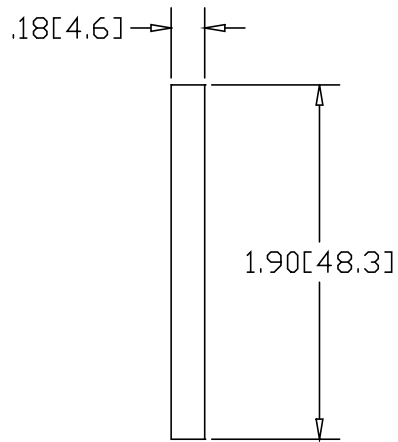
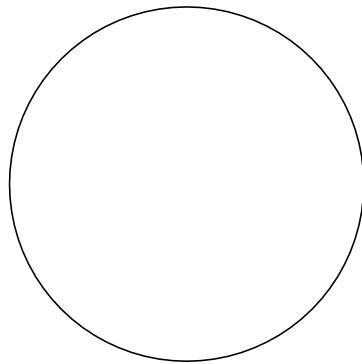
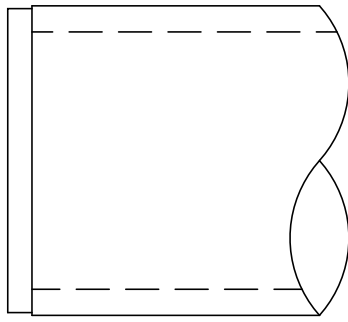
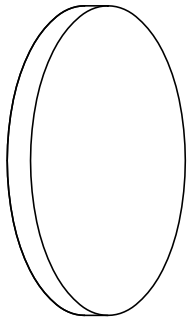



REV
SH
DWG NO 3229

REVISIONS			
REV	DESCRIPTION	DATE	APPROVED



INCHES [MILLIMETERS]

ALTERNATE MATERIAL	PART NUMBER
.190 (3003) ALUMINUM ASTM B209	3249
7 GA 304 STAINLESS STEEL ASTM A240	3269
.188 (260) BRASS ASTM B19,B36	D079

PART NAME 1-1/2" PIPE SIZE TYPE-D WELD-ON DISK				
MATERIAL 7 GA. HRP&D STEEL ASTM A569				
DATE 10/11/96		THE WAGNER COMPANIES R & B WAGNER, INC. AND J. G. BRAUN CO.		
DRAWN BY RJF				
FINISH MILL	SIZE A	WEIGHT .14 LBS	PART NUMBER 3229	REV