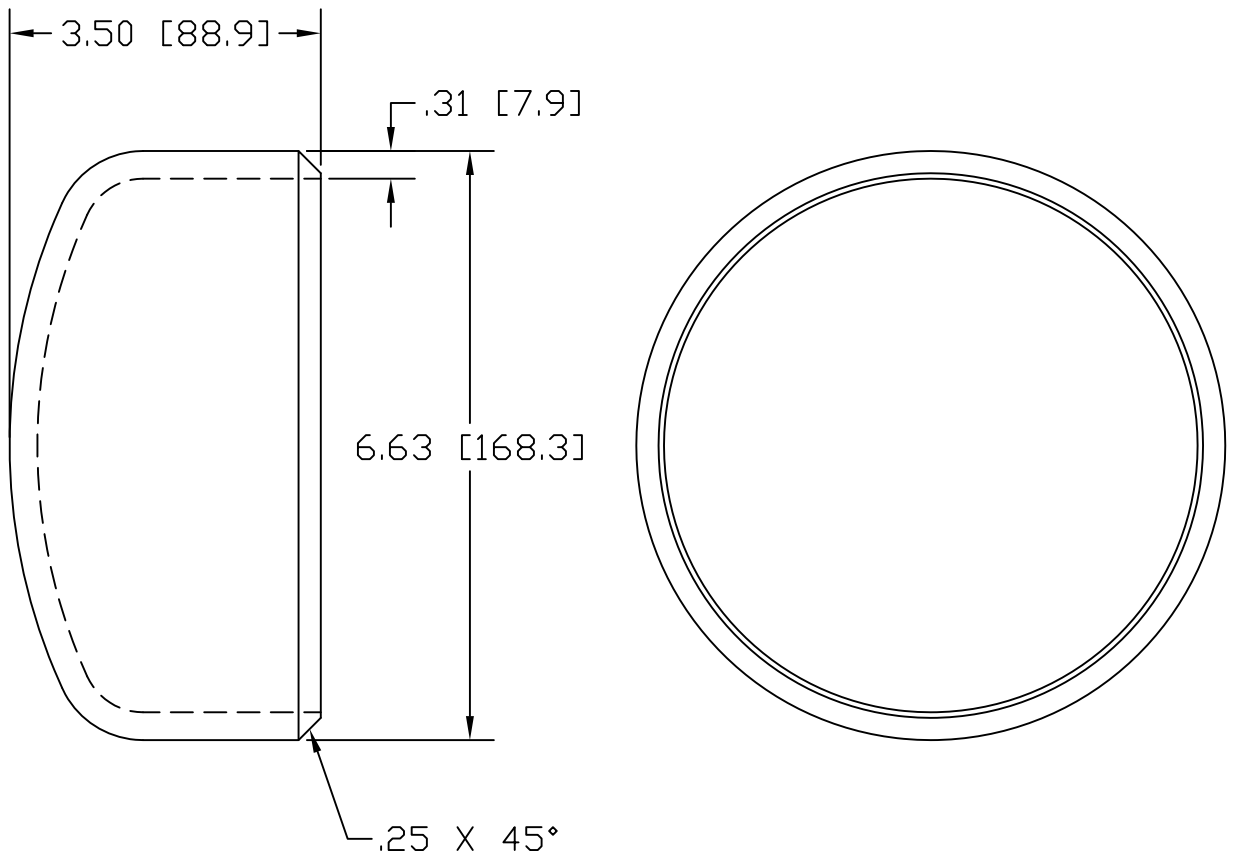



REV
SH
DWG NO 3225C-6

REVISIONS			
REV	DESCRIPTION	DATE	APPROVED



INCHES [MILLIMETERS]

PART NAME		6" PIPE SIZE (6.63" OD) FORGED STEEL PIPE CAP			
MATERIAL		CARBON STEEL ASTM A-234			
DATE	11/05/12	 THE WAGNER COMPANIES R & B WAGNER, INC. AND J. G. BRAUN CO.			
DRAWN BY	RJF				
FINISH	PRIMER RUST INHIBITOR	SIZE	WEIGHT	PART NUMBER	REV
		A	6.9 LBS	3225C-6	