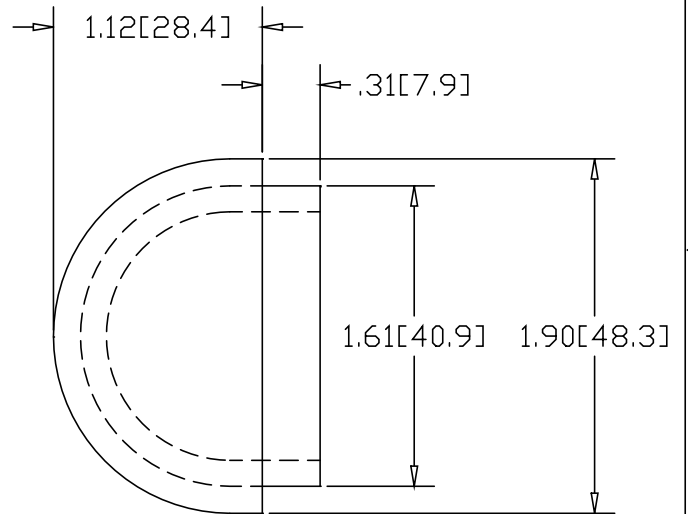
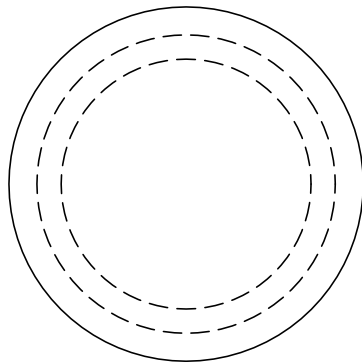
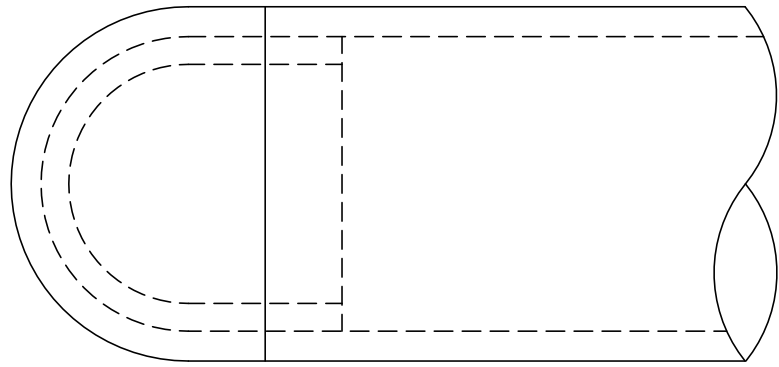
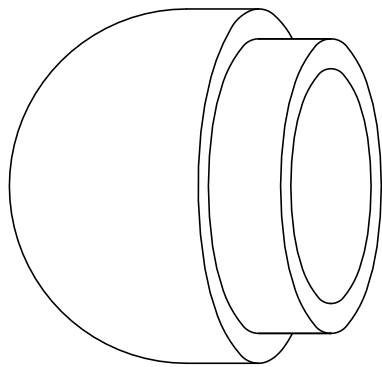


DWG NO 3212

REV


SH

REVISIONS			
REV	DESCRIPTION	DATE	APPROVED



INCHES [MILLIMETERS]

ALTERNATE MATERIAL	PART NUMBER
.125 (3003) ALUMINUM ASTM B209	3232

PART NAME		1-1/2" PIPE SIZE TYPE-A DRIVE-ON END CAP					
MATERIAL		10 GA. HRP&D STEEL ASTM A569					
DATE	10/11/96	 THE WAGNER COMPANIES R & B WAGNER, INC. AND J. G. BRAUN CO.					
DRAWN BY	RJF						
FINISH	MILL						
SIZE	A	WEIGHT	.44 LBS	PART NUMBER	3212	REV	