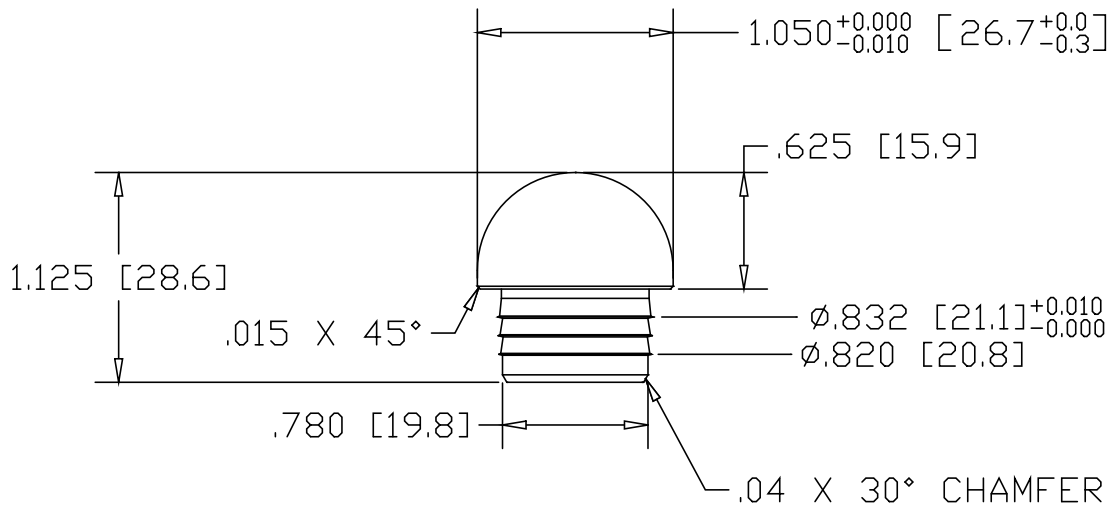



REV
SH
DWG NO 3208M

REVISIONS			
REV	DESCRIPTION	DATE	APPROVED



INCHES [MILLIMETERS]

PART NAME 3/4" PIPE SIZE TYPE-A MACHINED DRIVE-ON CAP			
MATERIAL 1018 STEEL			
DATE 09/19/05		THE WAGNER COMPANIES	
DRAWN BY RJF		R & B WAGNER, INC. AND J. G. BRAUN CO.	
FINISH MILL		SIZE A	WEIGHT .17 LBS
			REV