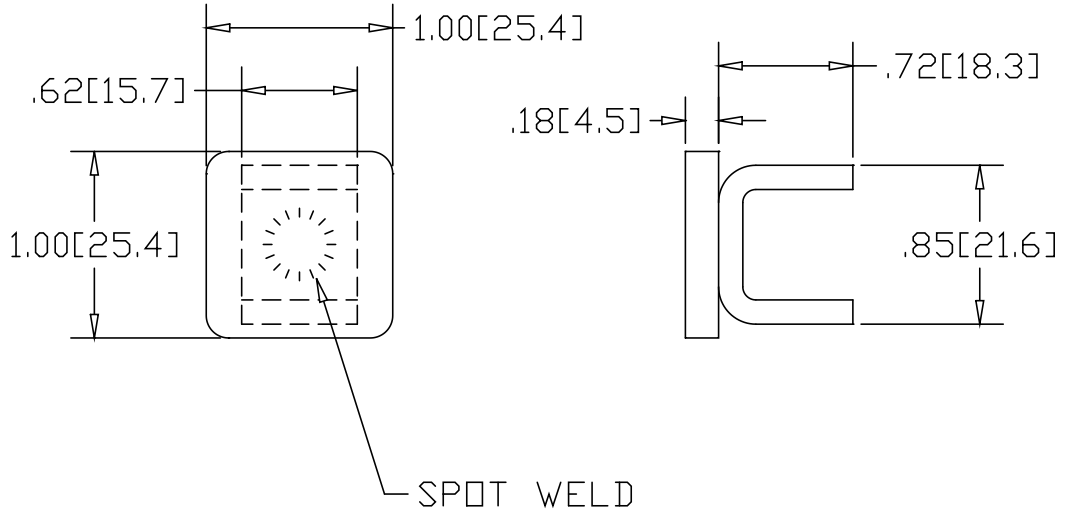



REV
SH
DWG NO 3206

REVISIONS			
REV	DESCRIPTION	DATE	APPROVED



INCHES [MILLIMETERS]

PART NAME		1.00" SQUARE X .083 WALL DRIVE-ON CAP					
MATERIAL		7 GA. HRP&D STEEL ASTM A569					
DATE	6/3/98	 THE WAGNER COMPANIES R & B WAGNER, INC. AND J. G. BRAUN CO.					
DRAWN BY	RJF						
FINISH	MILL						
SIZE	A	WEIGHT	.09 LBS	PART NUMBER	3206	REV	