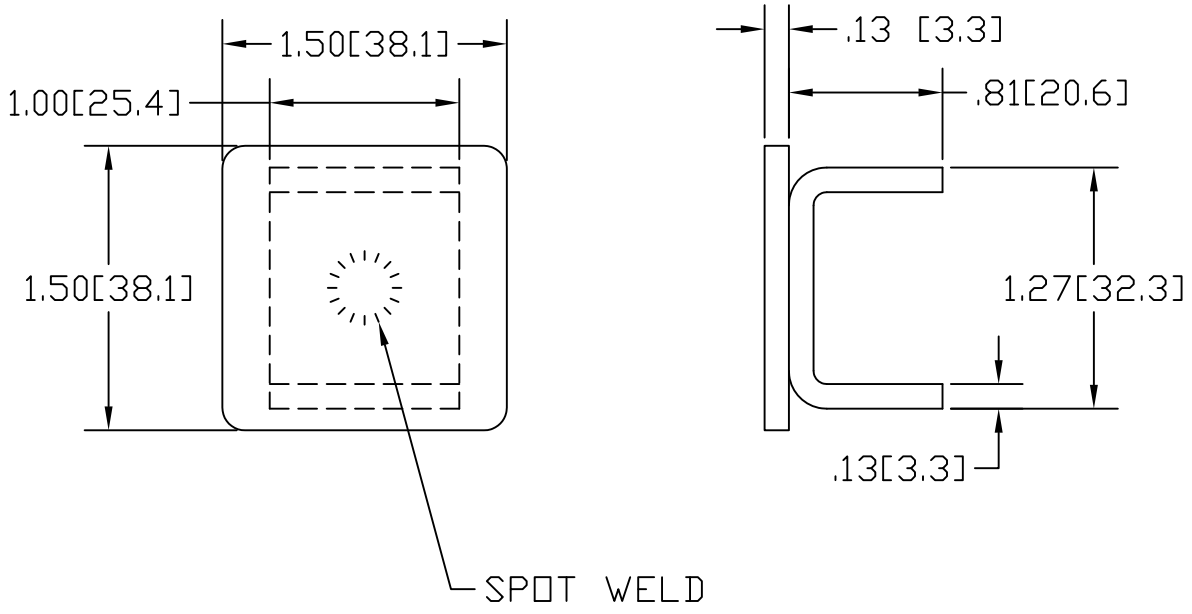


REV A
SH
DWG NO 3204-11


REVISIONS			
REV	DESCRIPTION	DATE	APPROVED
A	.13 WAS .18, 10 GA WAS 7 GA.	11/04/16	RJF



SPOT WELD

INCHES [MILLIMETERS]

ALTERNATE MATERIAL	PART NUMBER
.13 (3003) ALUMINUM ASTM B209	3204-A

PART NAME		1.50" SQUARE X .120 WALL DRIVE-ON CAP	
MATERIAL		10 GA. HRP&D STEEL ASTM A569	
DATE	6/3/98	 THE WAGNER COMPANIES R & B WAGNER, INC. AND J. G. BRAUN CO.	
DRAWN BY	RJF		
FINISH	MILL	SIZE	A
		WEIGHT	.23 LBS
		PART NUMBER	3204-11
		REV	A