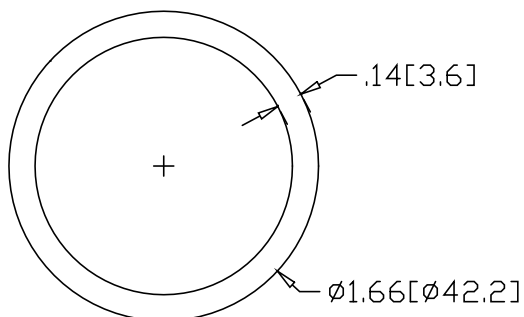
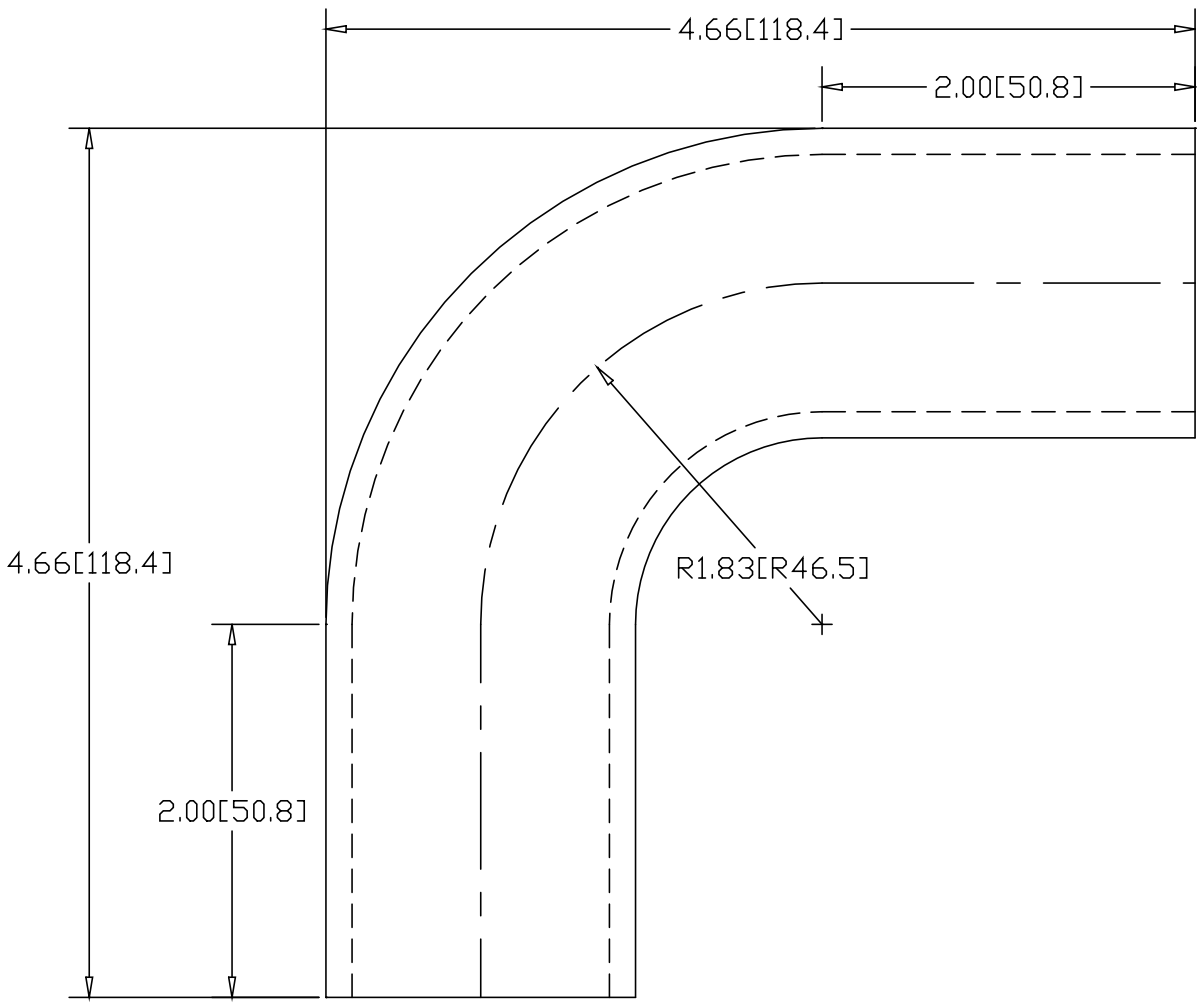



REV
SH
266-2
DWG NO

REVISIONS			
REV	DESCRIPTION	DATE	APPROVED



INCHES [MILLIMETERS]

ALTERNATE MATERIAL	PART NUMBER
1-1/4" SCH 40 (6063) ALUMINUM PIPE	290-2
1-1/4" SCH 40 (304) STAINLESS STEEL PIPE	315-2

PART NAME		1-1/4" PIPE 1" I.R. X 90° ELL W/(2) 2" TANGENTS	
MATERIAL		1-1/4" SCH 40 STEEL PIPE A53	
DATE	04/03/00	 R & B WAGNER, INC.	
DRAWN BY	RJF		
FINISH	MILL	SIZE	A
		WEIGHT	1.30 LBS
		PART NUMBER	266-2
		REV	