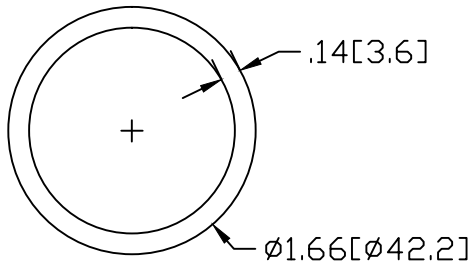
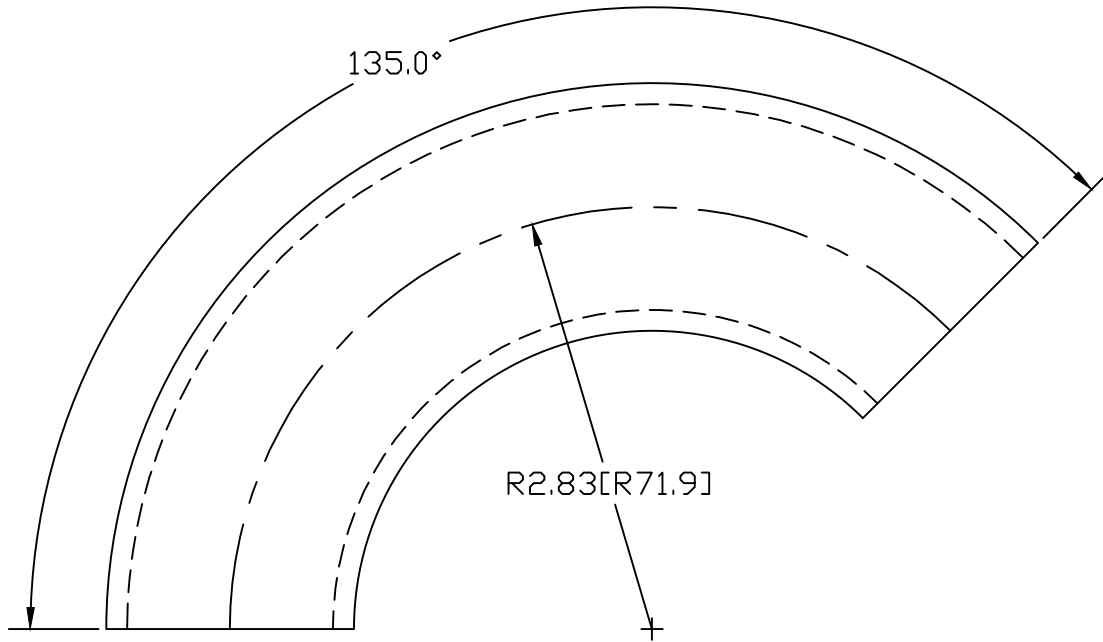



REV
SH
269-5
DWG NO

REVISIONS			
REV	DESCRIPTION	DATE	APPROVED



INCHES [MILLIMETERS]

ALTERNATE MATERIAL	PART NUMBER
1-1/4" SCH 40 (6063) ALUMINUM PIPE	293-5

PART NAME		1-1/4" PIPE SIZE 135° ELL X 2" I.R.					
MATERIAL		1-1/4" SCH 40 STEEL PIPE					
DATE	8/24/95	 R & B WAGNER, INC.					
DRAWN BY	RJF						
FINISH	MILL						
SIZE	A	WEIGHT	1.32 LBS	PART NUMBER	269-5	REV	