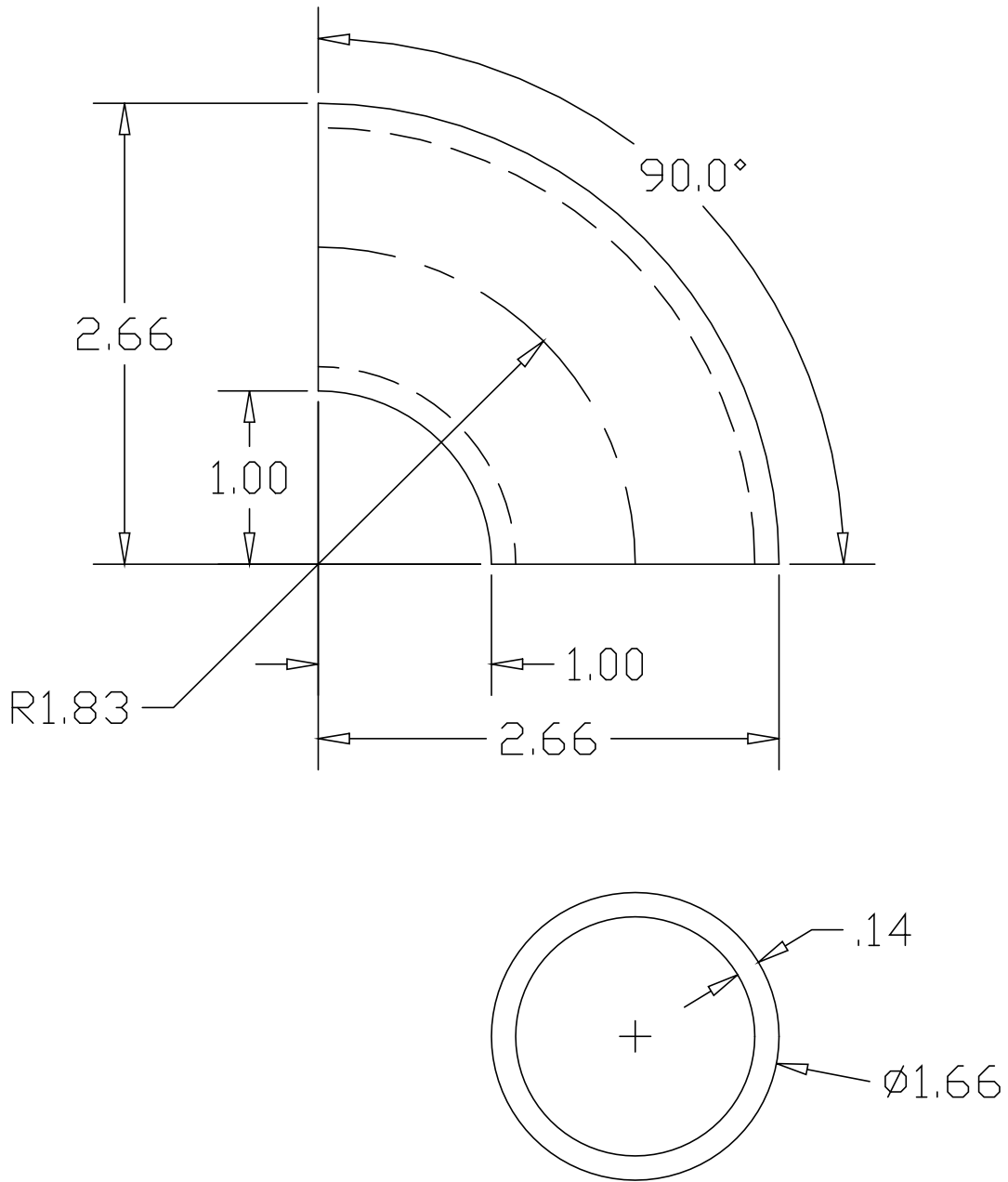



REV
SH
DWG NO 290-S

REVISIONS			
REV	DESCRIPTION	DATE	APPROVED



PART NAME		1-1/4" X 1" I.R. ELL X 90°	
MATERIAL		1-1/4" SCH 40 (6063) ALUMINUM PIPE	
DATE	1/11/94	 THE WAGNER COMPANIES R & B WAGNER, INC. AND J. G. BRAUN CO.	REV
DRAWN BY	RJF		
FINISH	MILL		
SIZE	A	WEIGHT	.2 LBS
PART NUMBER		290-S	