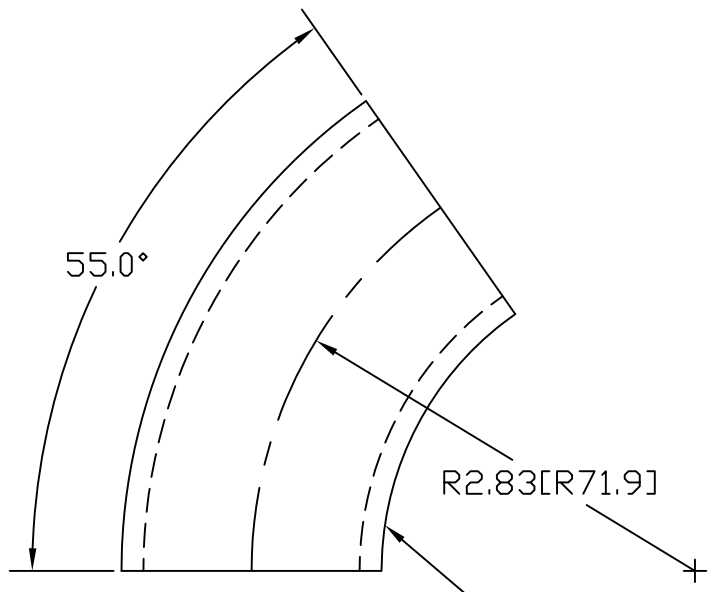
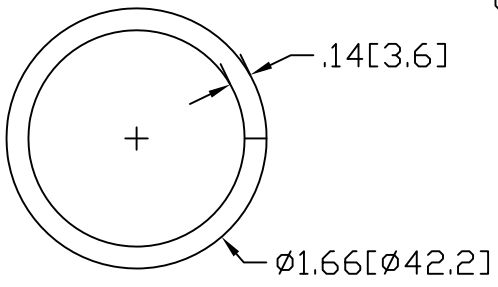


REV  
SH  
262  
DWG NO

REVISIONS			
REV	DESCRIPTION	DATE	APPROVED




NOTE: UNWELDED SEAM  
ALONG INSIDE RADIUS  
(STEEL ELLS ONLY)



INCHES [MILLIMETERS]

ALTERNATE MATERIAL	PART NUMBER
1-1/4" SCH 40 (6063) ALUMINUM PIPE	286
1-1/4" SCH 40 (304) STAINLESS STEEL PIPE	311

PART NAME					1-1/4" PIPE SIZE 55° ELL X 2" I.R.				
MATERIAL					10 GA. HRP&D STEEL ASTM A569				
DATE		8/24/95				R & B WAGNER, INC.			
DRAWN BY		RJF							
FINISH		MILL		SIZE	WEIGHT	PART NUMBER	REV		
				A	.54 LBS	262			