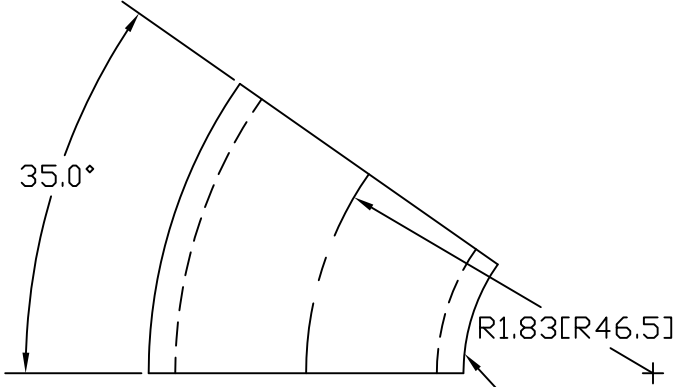
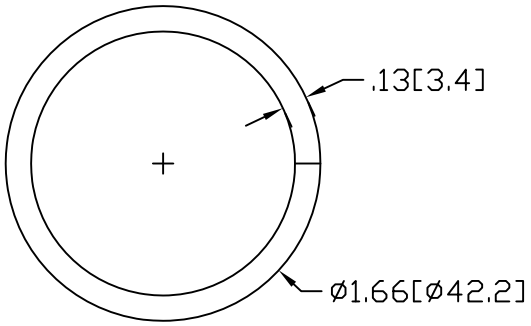


REV  
SH  
248  
DWG NO

REVISIONS			
REV	DESCRIPTION	DATE	APPROVED




NOTE: UNWELDED SEAM ALONG INSIDE RADIUS



INCHES [MILLIMETERS]

ALTERNATE MATERIAL	PART NUMBER
.125 (3003) ALUMINUM ASTM B209	272
10 GA. (304) STAINLESS STEEL ASTM A240	297

PART NAME		1-1/4" PIPE 1" I.R. X 35° ELL		
MATERIAL		10 GA. HRP&D STEEL ASTM A569		
DATE	04/03/00	 R & B WAGNER, INC.		
DRAWN BY	RJF			
FINISH	MILL	SIZE	WEIGHT	PART NUMBER
		A	.24 LBS	248
				REV