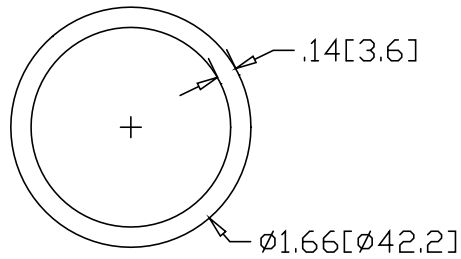
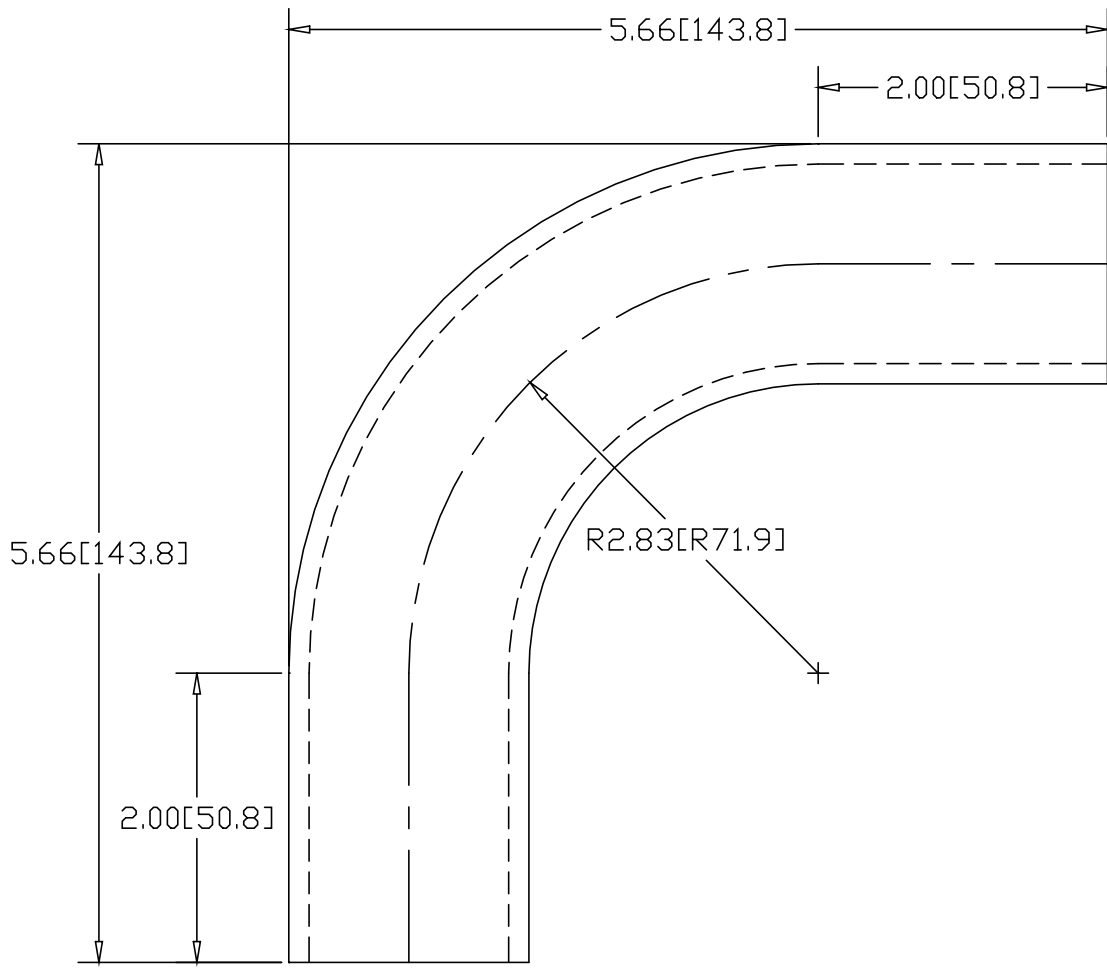



REV
SH
269-7
DWG NO

| REVISIONS | | | |
|-----------|-------------|------|----------|
| REV | DESCRIPTION | DATE | APPROVED |



INCHES [MILLIMETERS]

| ALTERNATE MATERIAL | PART NUMBER |
|--|-------------|
| 1-1/4" SCH 40 (6063) ALUMINUM PIPE | 293-7 |
| 1-1/4" SCH 40 (304) STAINLESS STEEL PIPE | 317-3 |

| | | | |
|--|---|--------------------|----------------|
| PART NAME 1-1/4" PIPE SIZE 90° ELL X 2" I.R. W/(2) 2" TANGENTS | | | |
| MATERIAL 1-1/4" SCH 40 STEEL PIPE | | | |
| DATE 8/24/95 |  | R & B WAGNER, INC. | |
| DRAWN BY RJF | | SIZE A | WEIGHT 1.6 LBS |
| FINISH MILL | | | REV |