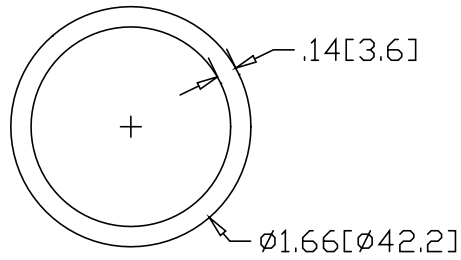
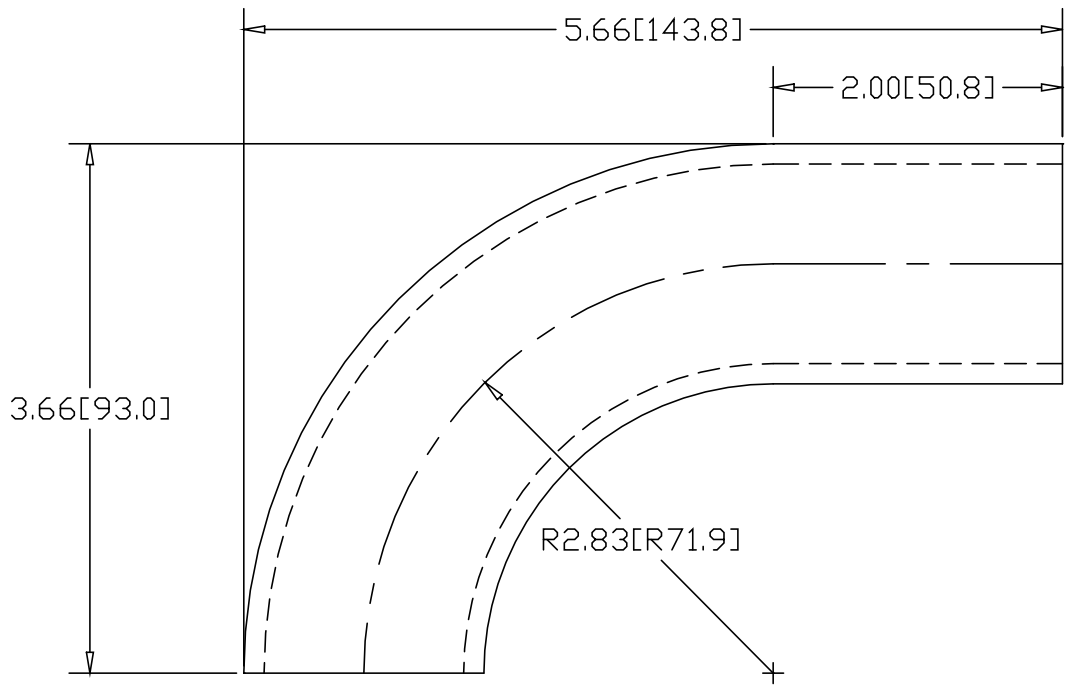


REV  
SH  
269-3  
DWG NO

REVISIONS			
REV	DESCRIPTION	DATE	APPROVED



INCHES [MILLIMETERS]

ALTERNATE MATERIAL	PART NUMBER
1-1/4" SCH 40 (6063) ALUMINUM PIPE	293-3
1-1/4" SCH 40 (304) STAINLESS STEEL PIPE	317-1

PART NAME 1-1/4" PIPE SIZE 90° ELL X 2" I.R. W/(1) 2" TANGENT			
MATERIAL 1-1/4" SCH 40 STEEL PIPE			
DATE 8/24/95	<b>WAGNER</b>	R & B WAGNER, INC.	
DRAWN BY RJF		SIZE A	WEIGHT 1.25 LBS
FINISH MILL	PART NUMBER 269-3	REV	