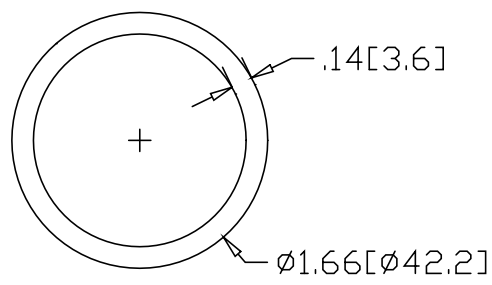
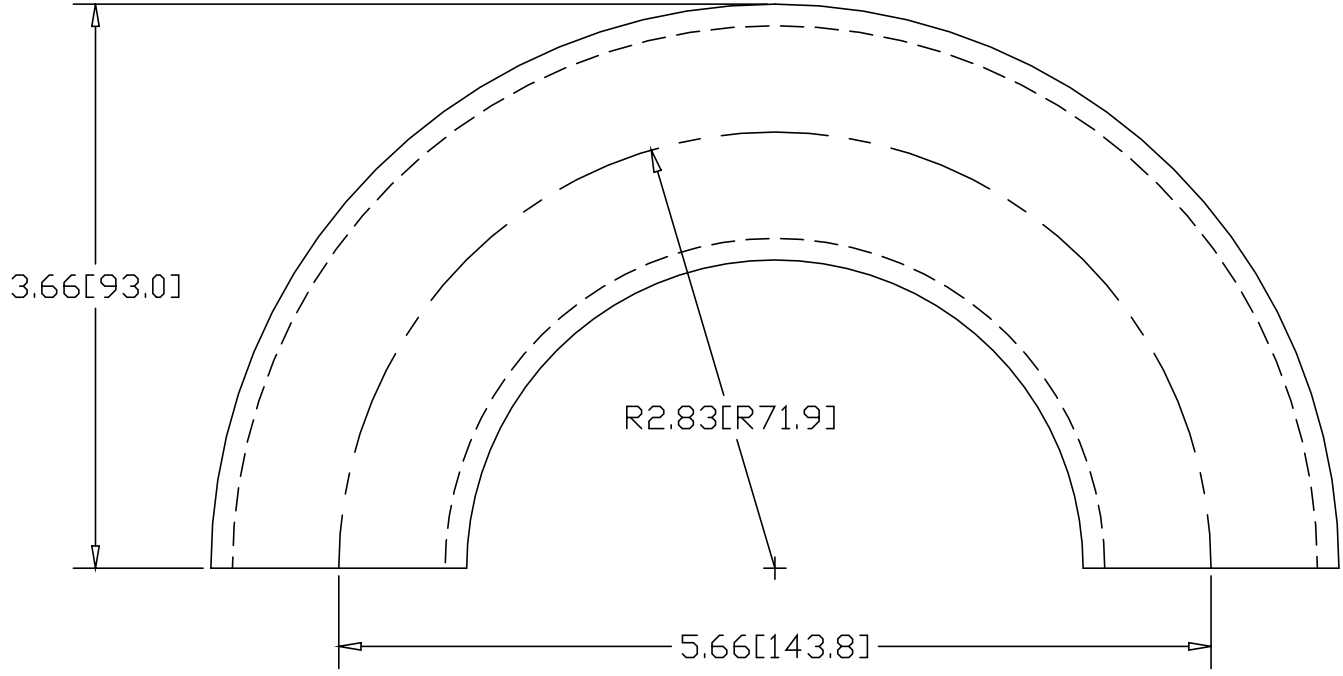



REV  
SH  
269-2  
DWG NO

REVISIONS			
REV	DESCRIPTION	DATE	APPROVED



INCHES [MILLIMETERS]

ALTERNATE MATERIAL	PART NUMBER
1-1/4" SCH 40 (6063) ALUMINUM PIPE	293-2

PART NAME		1-1/4" PIPE SIZE 180° ELL X 2" I.R.			
MATERIAL		1-1/4" SCH 40 STEEL PIPE			
DATE	8/24/95	 <b>R &amp; B WAGNER, INC.</b>			
DRAWN BY	RJF				
FINISH	MILL	SIZE	WEIGHT	PART NUMBER	REV
		A	1.76 LBS	269-2	