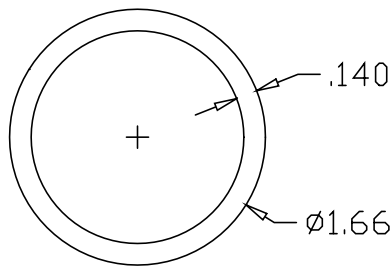
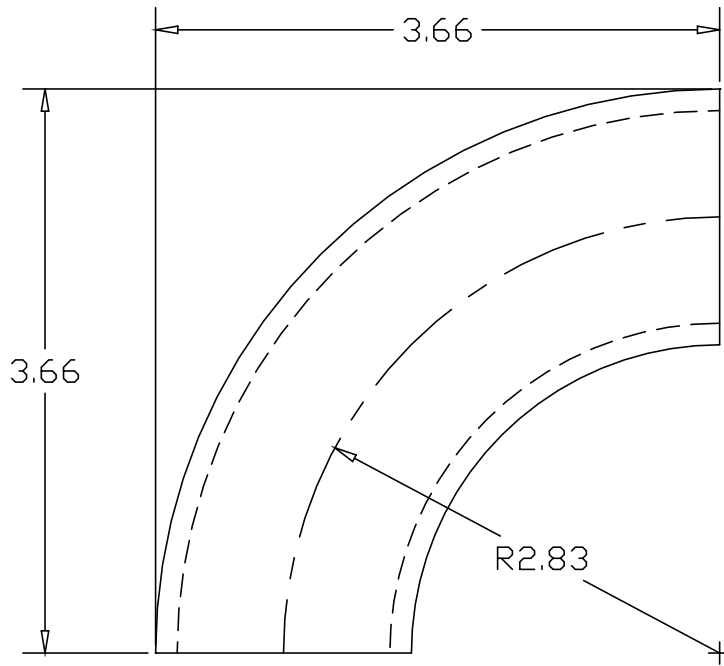



REV
SH
268-S
DWG NO

REVISIONS			
REV	DESCRIPTION	DATE	APPROVED



ALTERNATE MATERIAL	PART NUMBER
1-1/4" SCH 40 (6063) ALUMINUM PIPE	292
1-1/4" SCH 40 (304) STAINLESS STEEL PIPE	317-S

PART NAME				1-1/4" PIPE SIZE 90° ELL X 2" I.R.	
MATERIAL				1-1/4" SCH 40 STEEL PIPE	
DATE	8/24/95			R & B WAGNER, INC.	
DRAWN BY	RJF				
FINISH	MILL	SIZE	A	WEIGHT	.88 LBS
			PART NUMBER	268-S	
			REV		