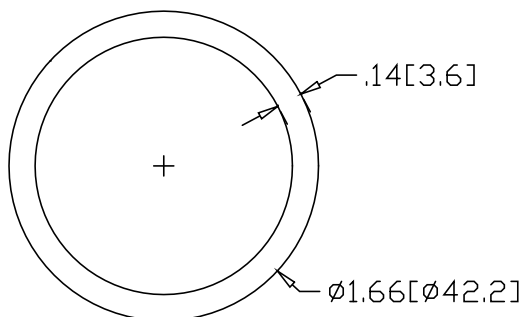
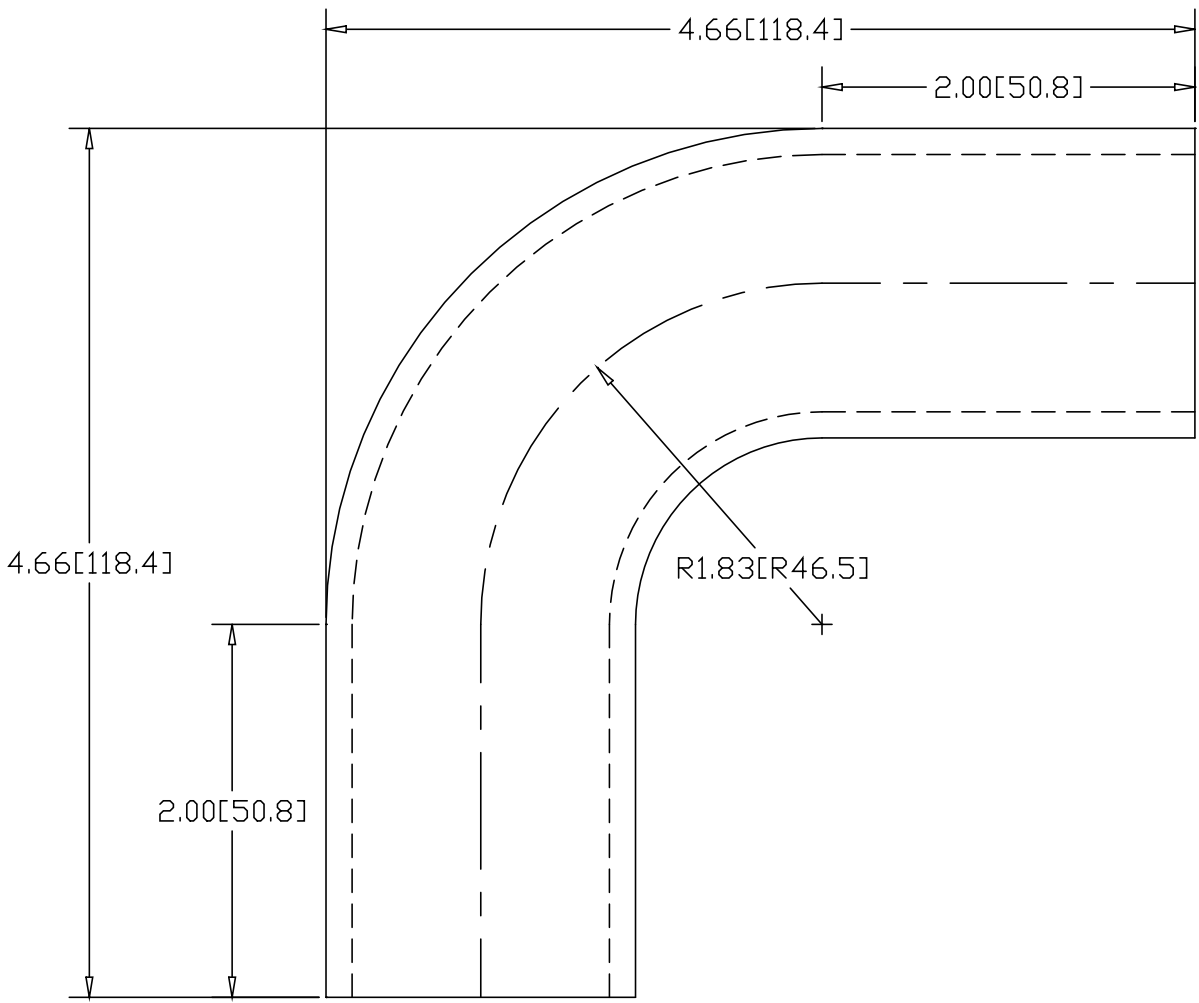



REV  
SH  
266-2  
DWG NO

REVISIONS			
REV	DESCRIPTION	DATE	APPROVED



INCHES [MILLIMETERS]

ALTERNATE MATERIAL	PART NUMBER
1-1/4" SCH 40 (6063) ALUMINUM PIPE	290-2
1-1/4" SCH 40 (304) STAINLESS STEEL PIPE	315-2

PART NAME 1-1/4" PIPE 1" I.R. X 90° ELL W/(2) 2" TANGENTS			
MATERIAL 1-1/4" SCH 40 STEEL PIPE A53			
DATE 04/03/00		R & B WAGNER, INC.	
DRAWN BY RJF		SIZE A	WEIGHT 1.30 LBS
FINISH MILL			REV