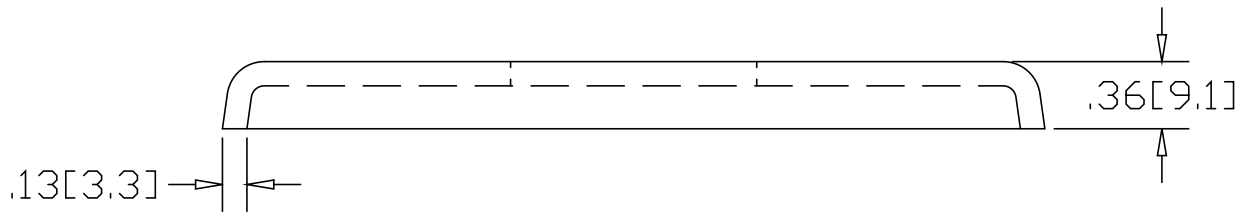
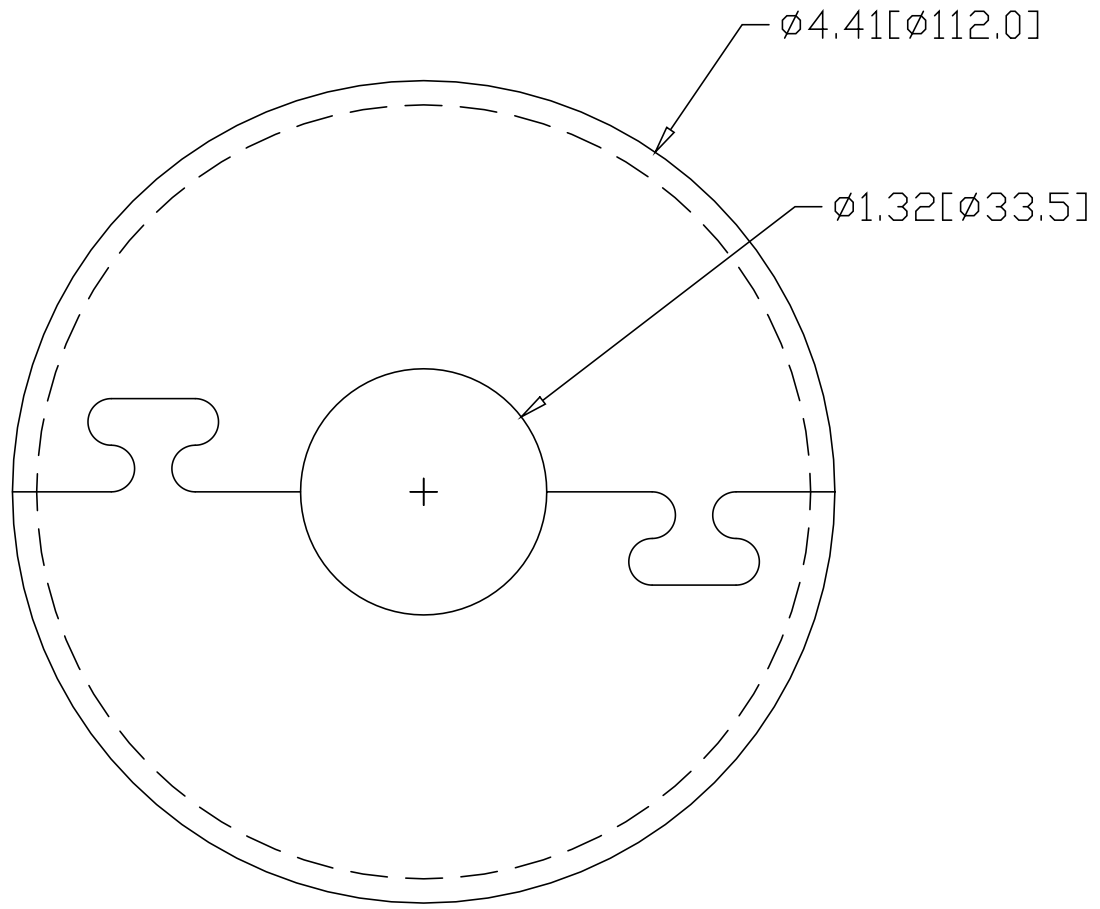



REV  
SH  
26401  
DWG NO

REVISIONS			
REV	DESCRIPTION	DATE	APPROVED



INCHES [MILLIMETERS]

ALTERNATE MATERIAL	PART NUMBER
.125 (3003) ALUMINUM ASTM B209	26411
10 GA. (304) STAINLESS STEEL ASTM A240	26421

PART NAME		1" PIPE PUZZLE-LOCK SPLIT FLANGE		
MATERIAL		10 GA. HRP&O STEEL ASTM A-569		
DATE	11/15/94	 <b>R &amp; B WAGNER, INC.</b>		
DRAWN BY	RJF			
FINISH	MILL			
SIZE	WEIGHT	PART NUMBER	REV	
A	.63 LBS	26401		