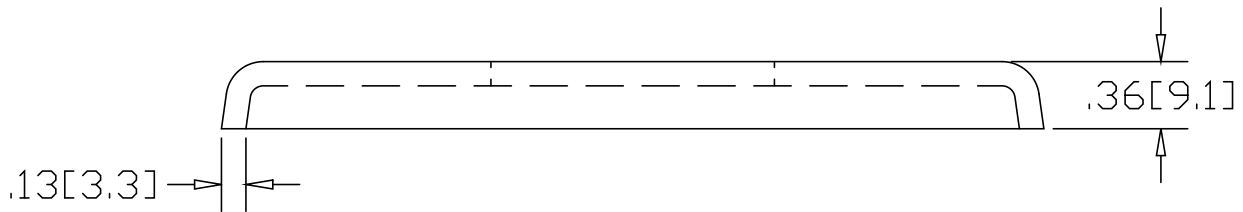
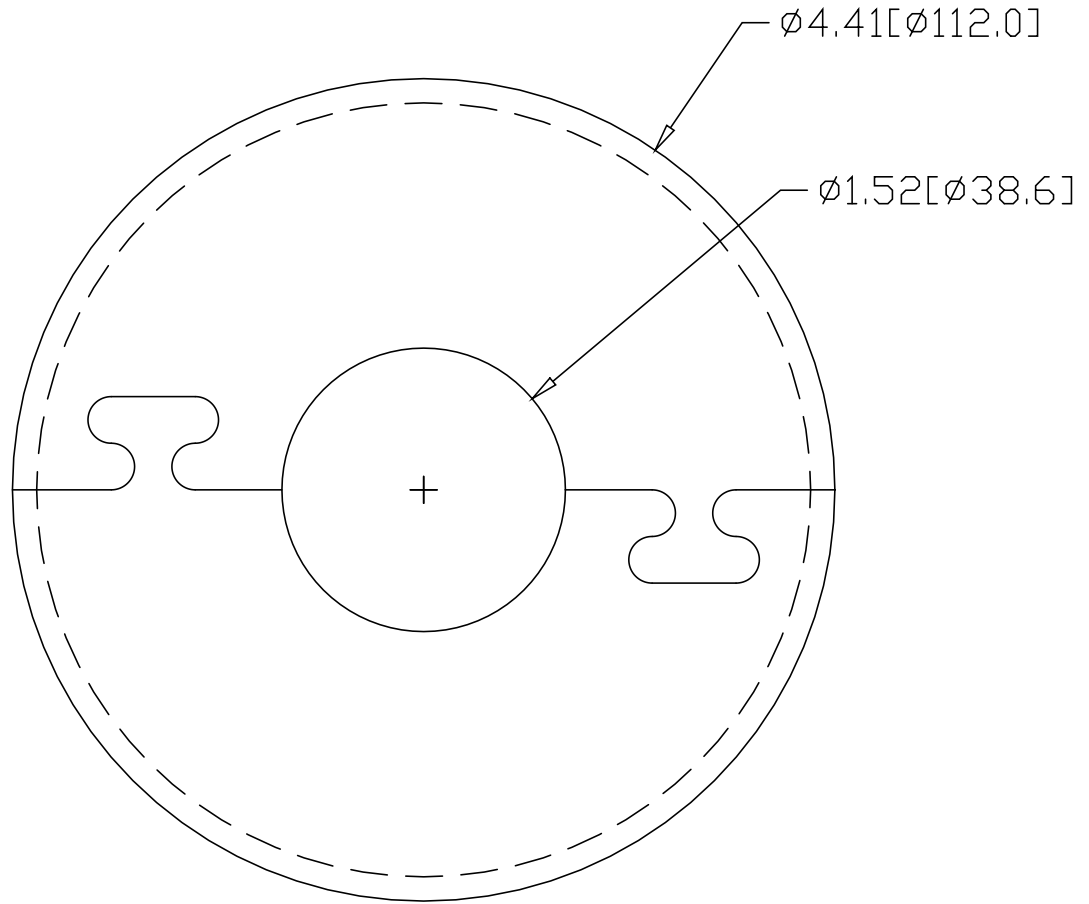



REV
SH
26405
DWG NO

REVISIONS			
REV	DESCRIPTION	DATE	APPROVED



INCHES [MILLIMETERS]

ALTERNATE MATERIAL	PART NUMBER
.125 (3003) ALUMINUM ASTM B209	26415
10 GA. (304) STAINLESS STEEL ASTM A240	26425

PART NAME 1.50" OD TUBE PUZZLE-LOCK SPLIT FLANGE				
MATERIAL 10 GA. HRP&O STEEL ASTM A-569				
DATE 11/15/94	 R & B WAGNER, INC.			
DRAWN BY RJF				
FINISH MILL	SIZE A	WEIGHT .63 LBS	PART NUMBER 26405	REV