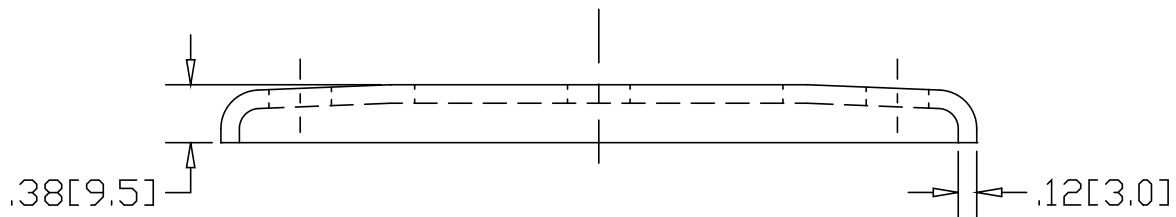
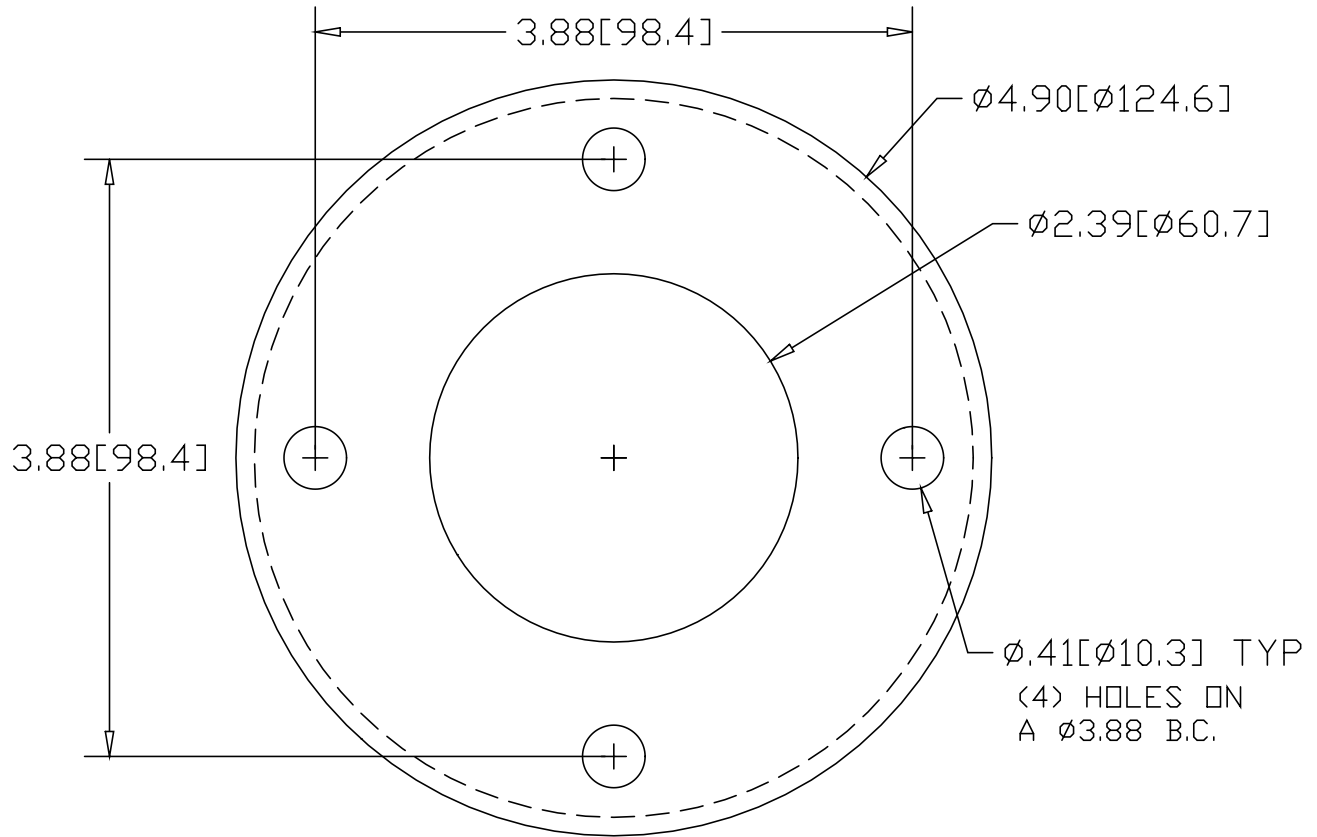


REV
SH
2544
DWG NO


REVISIONS			
REV	DESCRIPTION	DATE	APPROVED



INCHES [MILLIMETERS]

*USE WITH ANCHOR PLATE
#B1448 IN STEEL
#PLB1448 ZINC PLATED STEEL
#B1548 IN STAINLESS

ALTERNATE MATERIAL	PART NUMBER
.125 (3003) ALUMINUM ASTM B209	2584
10 GA. (304) STAINLESS STEEL ASTM A240	2624

PART NAME 2" PIPE HEAVY FLUSH BASE FLANGE W/(4) HOLES			
MATERIAL 10 GA. HRP&D STEEL ASTM A569			
DATE 4/5/99		R & B WAGNER, INC.	
DRAWN BY RJF		FINISH MILL	SIZE A
PART NUMBER 2544		REV	