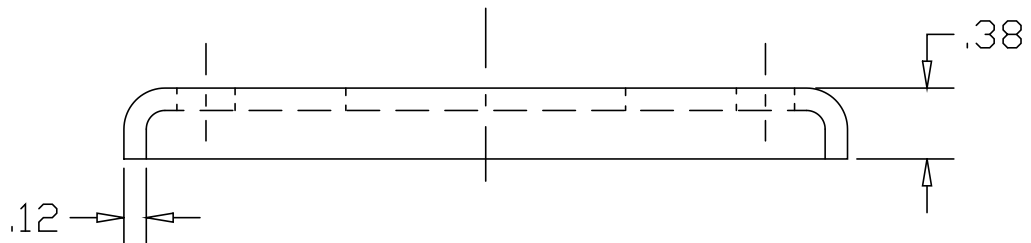
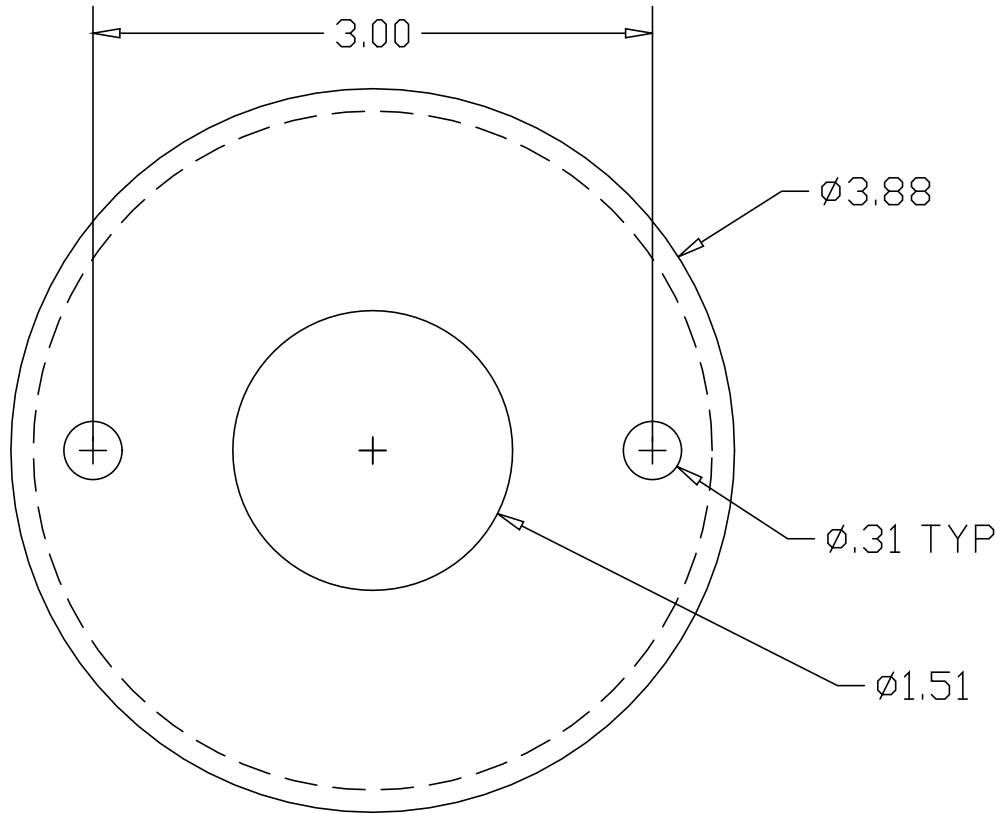



REV  
SH  
DWG NO 2615T

REVISIONS			
REV	DESCRIPTION	DATE	APPROVED



PART NAME		1-1/2" O.D. TUBING HEAVY FLUSH BASE FLANGE	
MATERIAL		11 GA. (304) STAINLESS STEEL ASTM A240	
DATE	7/14/94		THE WAGNER COMPANIES R & B WAGNER, INC. AND J. G. BRAUN CO.
DRAWN BY	RJF		
FINISH	MILL		
SIZE	A	WEIGHT	.5 LBS
PART NUMBER		2615T	
			REV