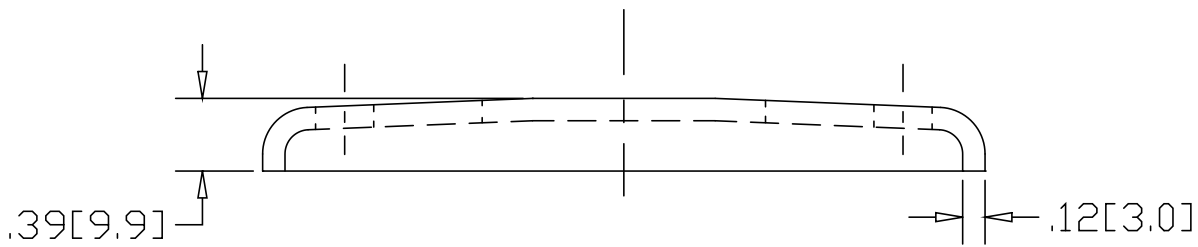
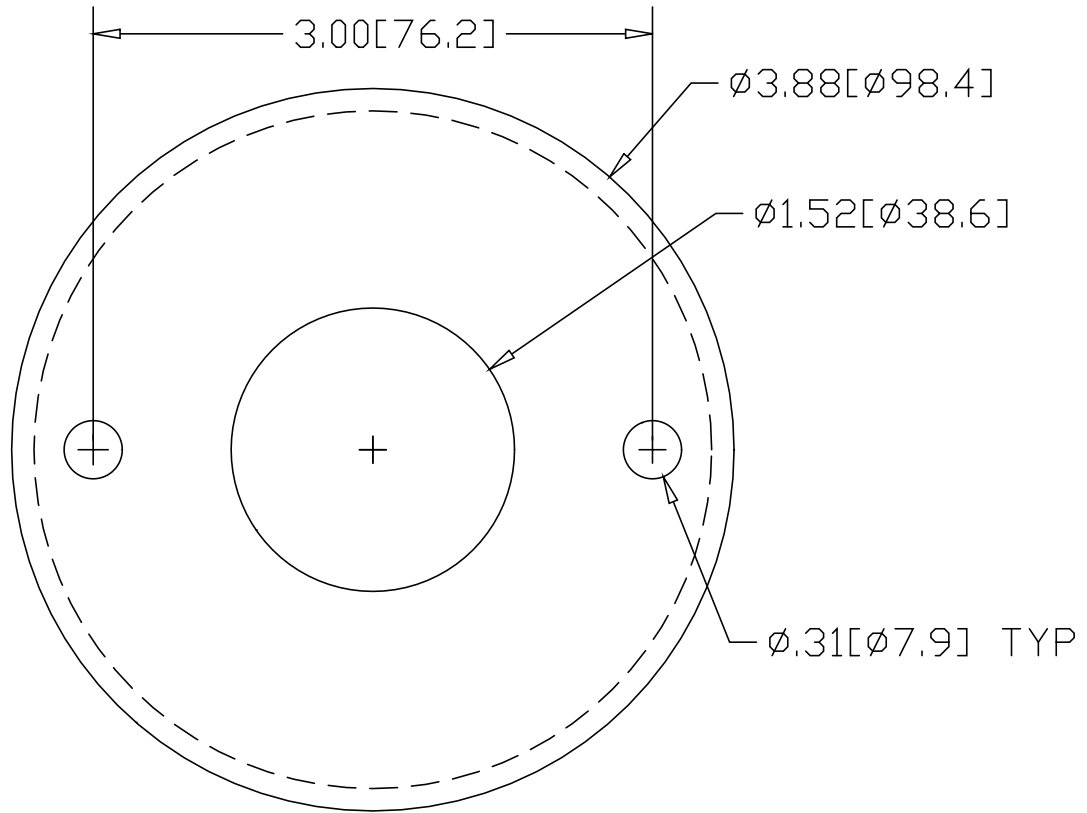


REV  
SH  
2535T  
DWG NO


| REVISIONS |             |      |          |
|-----------|-------------|------|----------|
| REV       | DESCRIPTION | DATE | APPROVED |



INCHES [MILLIMETERS]

\*USE WITH ANCHOR PLATE  
#B1432 IN STEEL  
#PLB1432 ZINC PLATED STEEL  
#B1532 IN STAINLESS STEEL

| ALTERNATE MATERIAL                     | PART NUMBER |
|--|-------------|
| .125 (3003) ALUMINUM ASTM B209         | 2575T       |
| 10 GA. (304) STAINLESS STEEL ASTM A240 | 2615T       |

|           |         |   |        |             |
|-----------|---------|---|--------|-------------|
| PART NAME |         | 1.50" OD TUBE HEAVY FLUSH BASE FLANGE W/(2) HOLES   |        |             |
| MATERIAL  |         | 10 GA. HRP&D STEEL ASTM A569  |        |             |
| DATE      | 3/31/99 |  <b>R &amp; B WAGNER, INC.</b> |        |             |
| DRAWN BY  | RJF     |   |        |             |
| FINISH    | MILL    | SIZE  | WEIGHT | PART NUMBER |
|           |         | A   | .5 LBS | 2535T       |
|           |         |   |        | REV         |