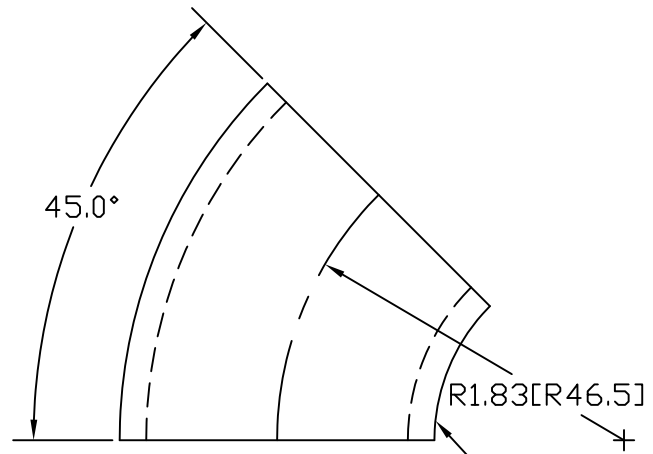
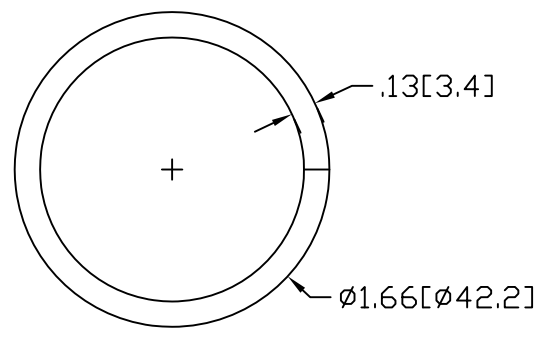


REV
SH
DWG NO 254

REVISIONS			
REV	DESCRIPTION	DATE	APPROVED




NOTE: UNWELDED SEAM ALONG INSIDE RADIUS



INCHES [MILLIMETERS]

ALTERNATE MATERIAL	PART NUMBER
.125 (3003) ALUMINUM ASTM B209	278
10 GA. (304) STAINLESS STEEL ASTM A240	303

PART NAME		1-1/4" PIPE 1" I.R. X 45° ELL		
MATERIAL		10 GA. HRP&D STEEL ASTM A569		
DATE	04/03/00	 R & B WAGNER, INC.		
DRAWN BY	RJF			
FINISH	MILL	SIZE	WEIGHT	PART NUMBER
		A	.27 LBS	254
				REV