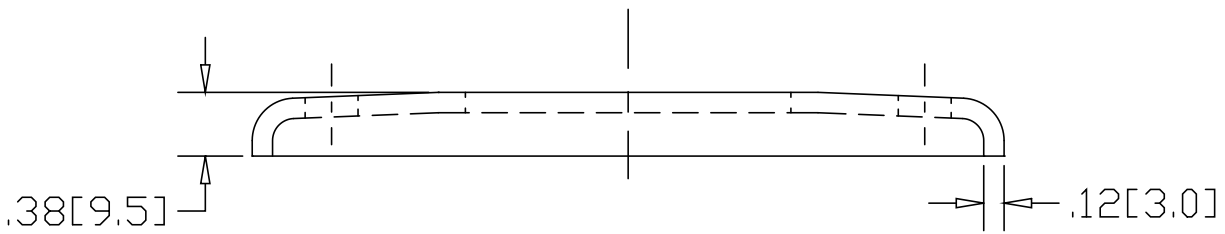
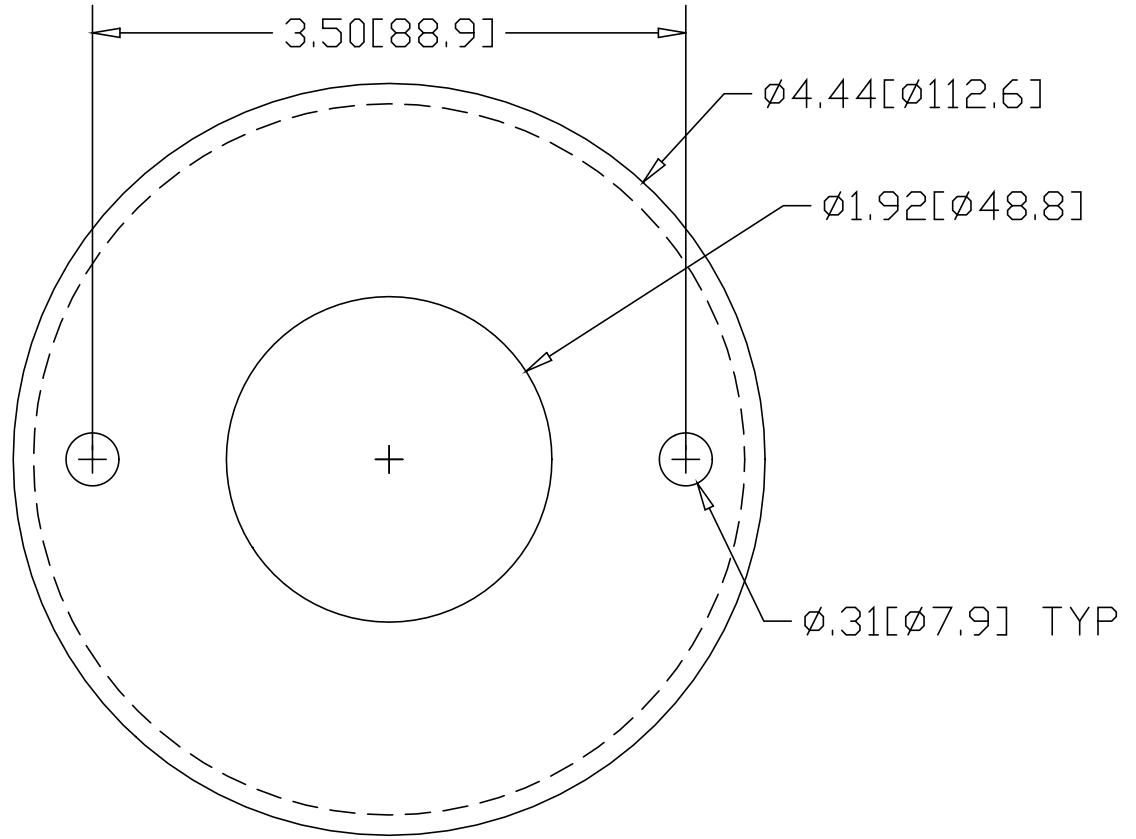


REV
SH
2535
DWG NO


REVISIONS			
REV	DESCRIPTION	DATE	APPROVED



INCHES [MILLIMETERS]

*USE WITH ANCHOR PLATE
#B1440 IN STEEL
#PLB1440 ZINC PLATED STEEL
#B1540 IN STAINLESS

ALTERNATE MATERIAL	PART NUMBER
.125 (3003) ALUMINUM ASTM B209	2575
10 GA. (304) STAINLESS STEEL ASTM A240	2615

PART NAME 1-1/2" PIPE HEAVY FLUSH BASE FLANGE W/(2) HOLES				
MATERIAL 10 GA. HRP&D STEEL ASTM A569				
DATE 9/6/94	 R & B WAGNER, INC.			
DRAWN BY RJF				
FINISH MILL	SIZE A	WEIGHT .52 LBS	PART NUMBER 2535	REV