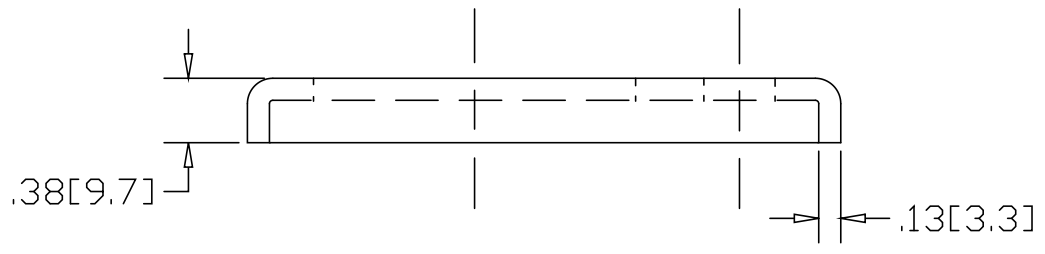
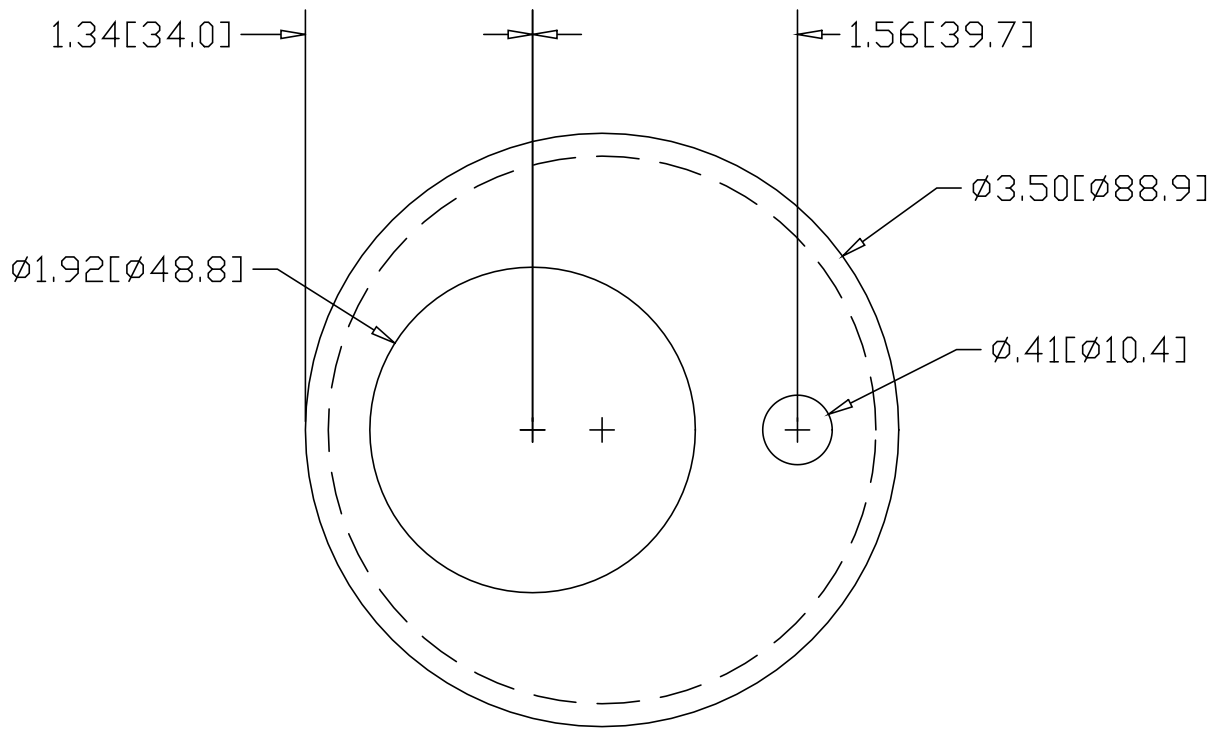



REV
SH
2534R
DWG NO

REVISIONS			
REV	DESCRIPTION	DATE	APPROVED



INCHES [MILLIMETERS]

ALTERNATE MATERIAL	PART NUMBER
.125 (3003) ALUMINUM ASTM B209	2574R
10 GA. (304) STAINLESS STEEL ASTM A240	2614R

PART NAME		1-1/2" PIPE SIZE HFB OFFSET FLANGE		
MATERIAL		10 GA. HRP&D STEEL ASTM A569		
DATE	4/5/99	 R & B WAGNER, INC.		
DRAWN BY	RJF			
FINISH	MILL	SIZE	WEIGHT	PART NUMBER
		A	.41 LBS	2534R
				REV