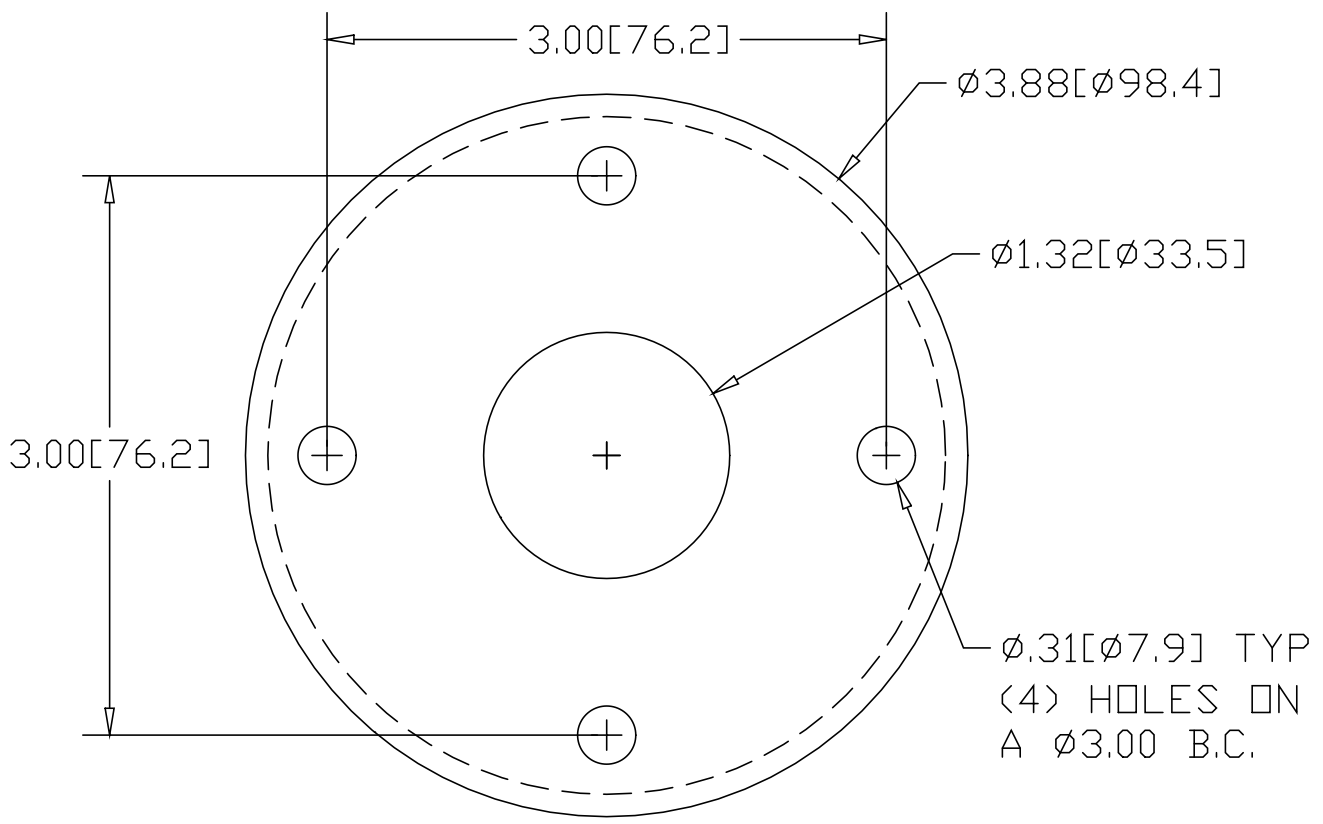


REV  
SH  
2520  
DWG NO

REVISIONS			
REV	DESCRIPTION	DATE	APPROVED



Ø3.88[Ø98.4]  
Ø1.32[Ø33.5]  
Ø.31[Ø7.9] TYP  
(4) HOLES ON  
A Ø3.00 B.C.


.39[9.9]

.12[3.0]

INCHES [MILLIMETERS]

\*USE WITH ANCHOR PLATE  
#B1432 IN STEEL  
#PLB1432 ZINC PLATED STEEL  
#B1532 IN STAINLESS STEEL

ALTERNATE MATERIAL	PART NUMBER
.125 (3003) ALUMINUM ASTM B209	2560
10 GA. (304) STAINLESS STEEL ASTM A240	2600

PART NAME		1" PIPE HEAVY FLUSH BASE FLANGE W/(4) HOLES			
MATERIAL		10 GA. HRP&D STEEL ASTM A569			
DATE	3/31/99			R & B WAGNER, INC.	
DRAWN BY	RJF				
FINISH	MILL	SIZE	WEIGHT	PART NUMBER	REV
		A	.5 LBS	2520	