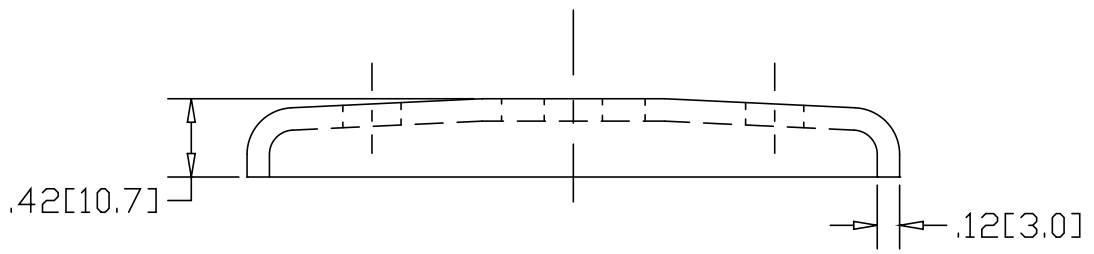
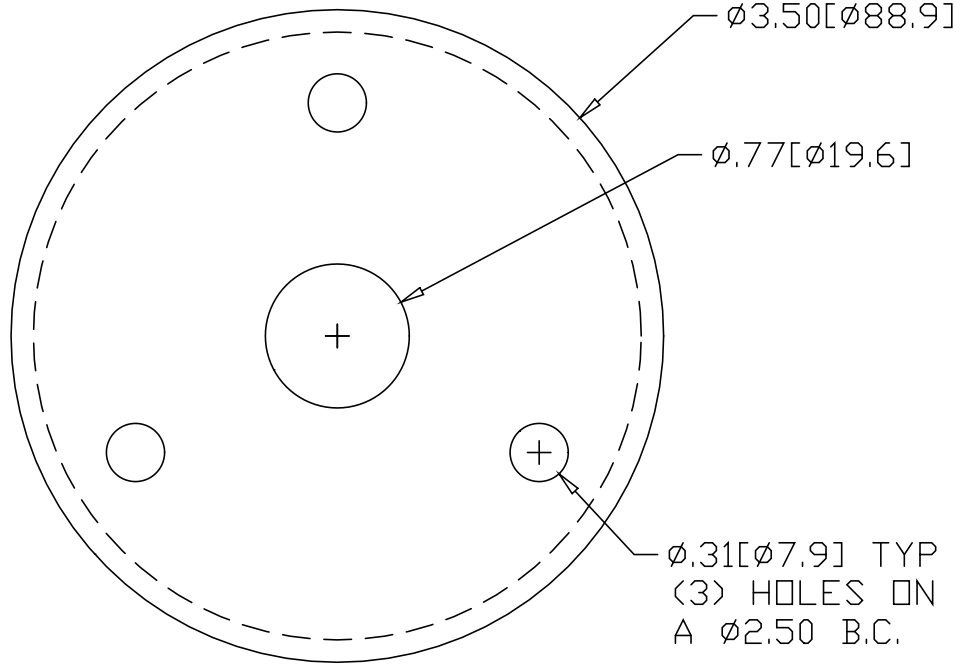


REV  
SH  
2511AT  
DWG NO

REVISIONS			
REV	DESCRIPTION	DATE	APPROVED



INCHES [MILLIMETERS]

\*USE WITH ANCHOR PLATE  
#B1416 IN STEEL  
#PLB1416 ZINC PLATED STEEL  
#B1516 IN STAINLESS

ALTERNATE MATERIAL	PART NUMBER
.125 (3003) ALUMINUM ASTM B209	2551AT
10 GA. (304) STAINLESS STEEL ASTM A240	2591AT

PART NAME .75" OD TUBE HEAVY FLUSH BASE FLANGE W/(3) HOLES			
MATERIAL 10 GA. HRP&D STEEL ASTM A569			
DATE 3/31/99			
DRAWN BY RJF			
FINISH MILL	SIZE A	WEIGHT .41 LBS	PART NUMBER 2511AT
			REV