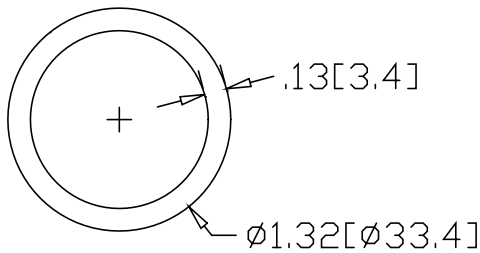
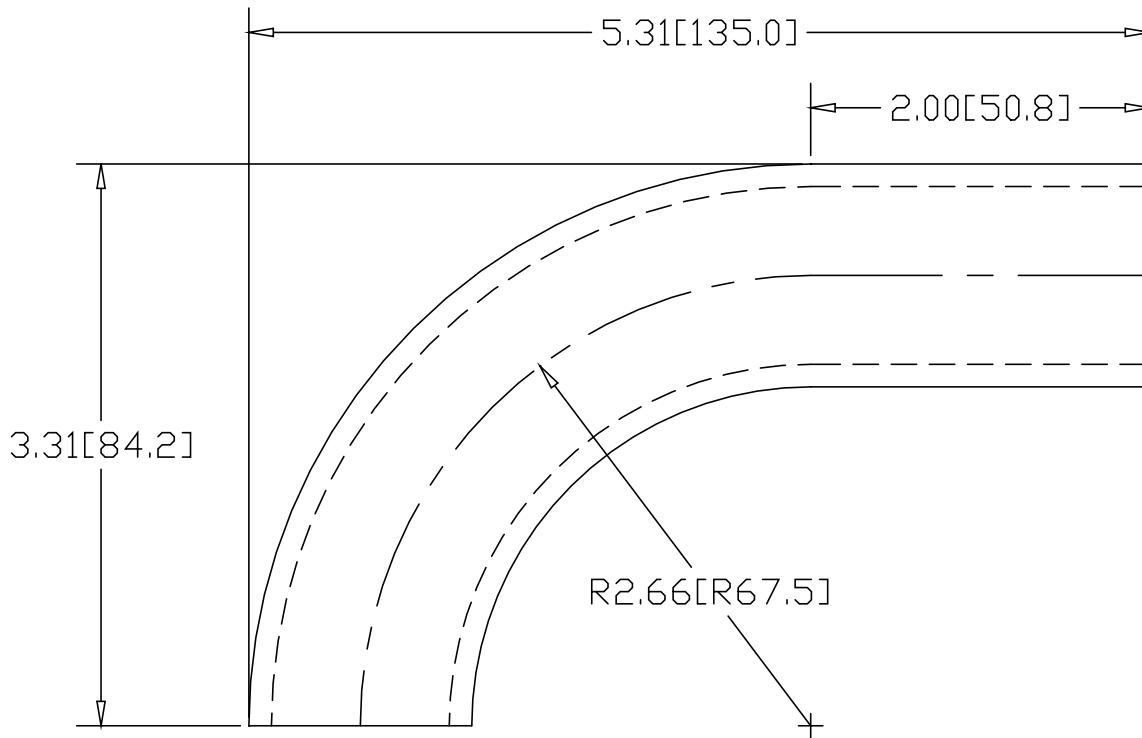


REV
SH
214-1
DWG NO

REVISIONS			
REV	DESCRIPTION	DATE	APPROVED



INCHES [MILLIMETERS]

ALTERNATE MATERIAL	PART NUMBER
1" SCH 40 (6063) ALUMINUM PIPE	228-1

PART NAME 1" PIPE SIZE 90° ELL X 2" I.R. W/(1) 2" TANGENT			
MATERIAL 1-1/4" SCH 40 STEEL PIPE A53			
DATE 8/24/95	WAGNER	R & B WAGNER, INC.	
DRAWN BY RJF			
FINISH MILL	SIZE A	WEIGHT .84 LBS	PART NUMBER 214-1
			REV