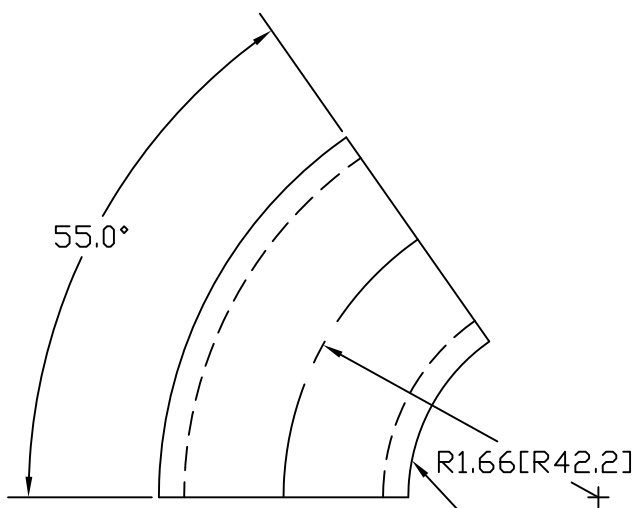
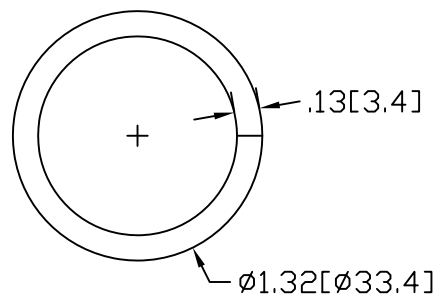


REV
SH
DWG NO 212

REVISIONS			
REV	DESCRIPTION	DATE	APPROVED




NOTE: UNWELDED SEAM ALONG INSIDE RADIUS



INCHES [MILLIMETERS]

ALTERNATE MATERIAL	PART NUMBER
.125 (3003) ALUMINUM ASTM B209	236
10 GA. (304) STAINLESS STEEL ASTM A240	213-S

PART NAME		1" PIPE 1" I.R. X 55° ELL		
MATERIAL		10 GA. HRP&□ STEEL ASTM A569		
DATE	8/17/95	 R & B WAGNER, INC.		
DRAWN BY	RJF			
FINISH	MILL	SIZE	WEIGHT	PART NUMBER
		A	.25 LBS	212
				REV