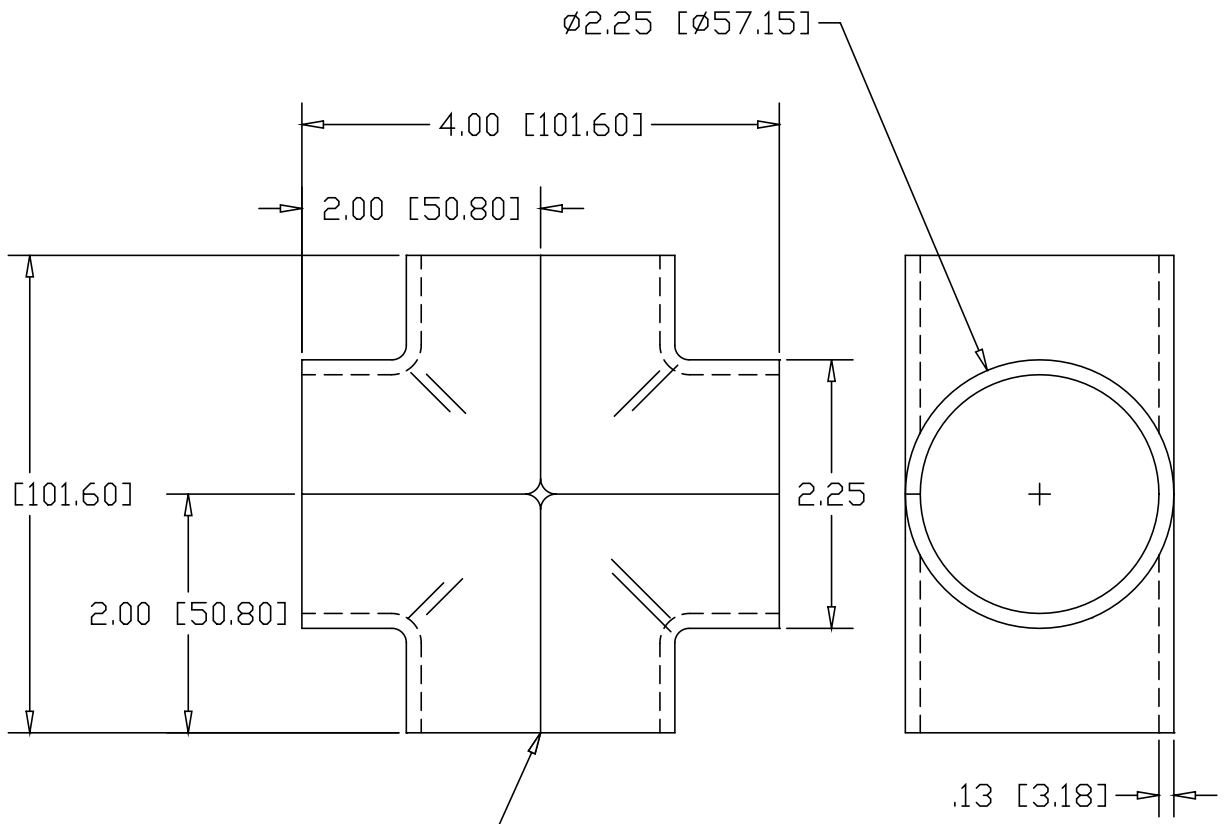



REV
SH
2112
DWG NO

REVISIONS			
REV	DESCRIPTION	DATE	APPROVED



UNWELDED SEAM

INCHES [MILLIMETERS]

PART NAME		1-1/2" PIPE SIZE STEEL CROSS					
MATERIAL		10 GA. HRP&D STEEL ASTM A569					
DATE	1/25/02		THE WAGNER COMPANIES R & B WAGNER, INC. AND J. G. BRAUN CO.				
DRAWN BY	JAH						
FINISH	MILL						
SIZE	A	WEIGHT	1.23LBS	PART NUMBER	2112	REV	